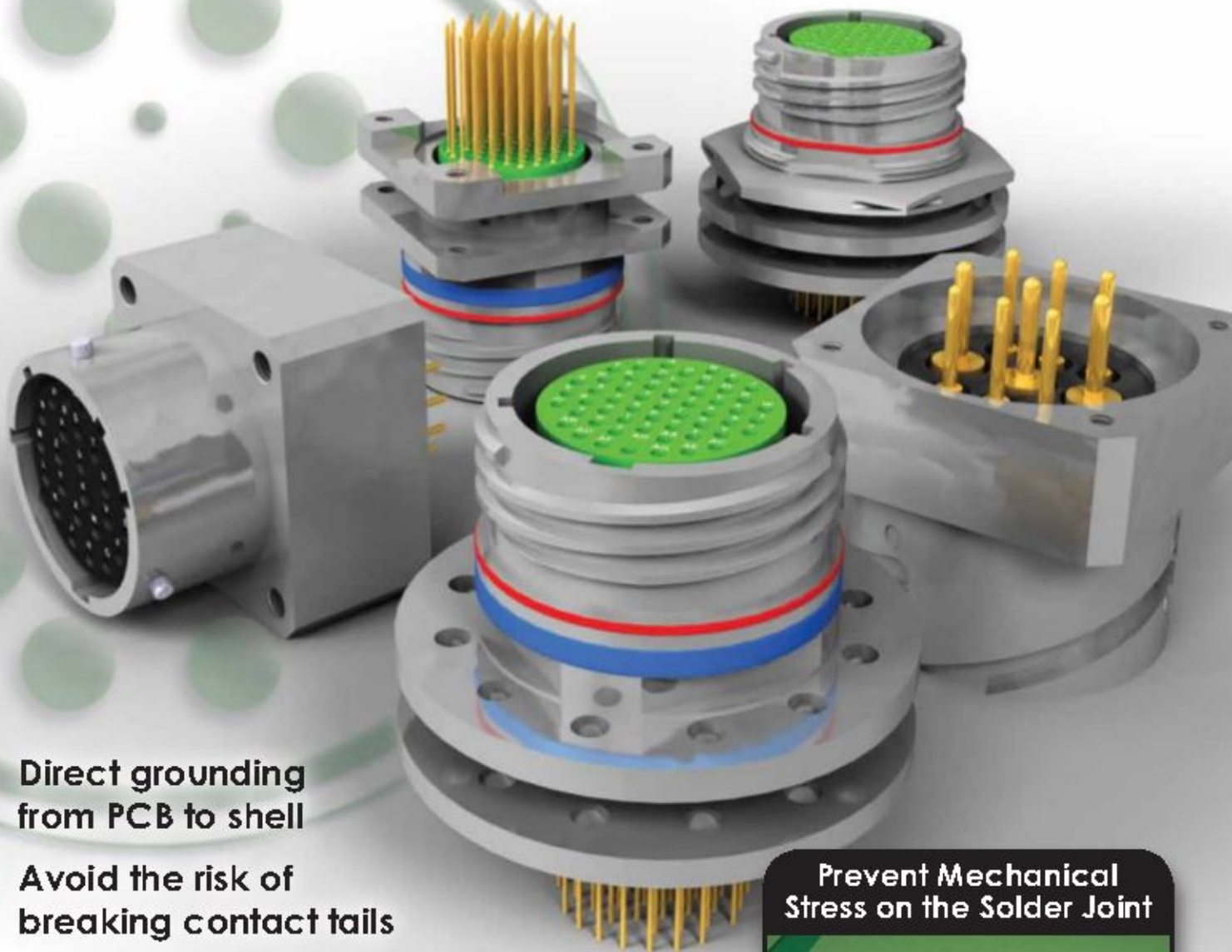


etronics

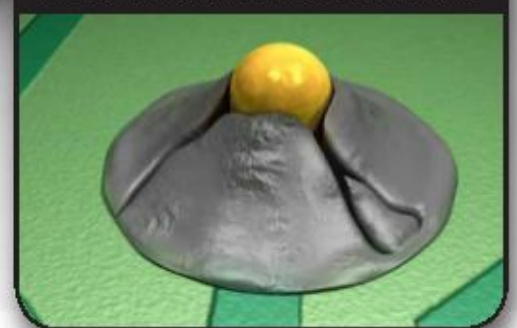
SecureVibe

Double & Thick Flange Connectors



- ▶ Direct grounding from PCB to shell
- ▶ Avoid the risk of breaking contact tails
- ▶ High resistance to vibration & shock
- ▶ Time saving & easy assembling

Prevent Mechanical Stress on the Solder Joint



AS50151 SERIES I

ORDERING INFORMATION

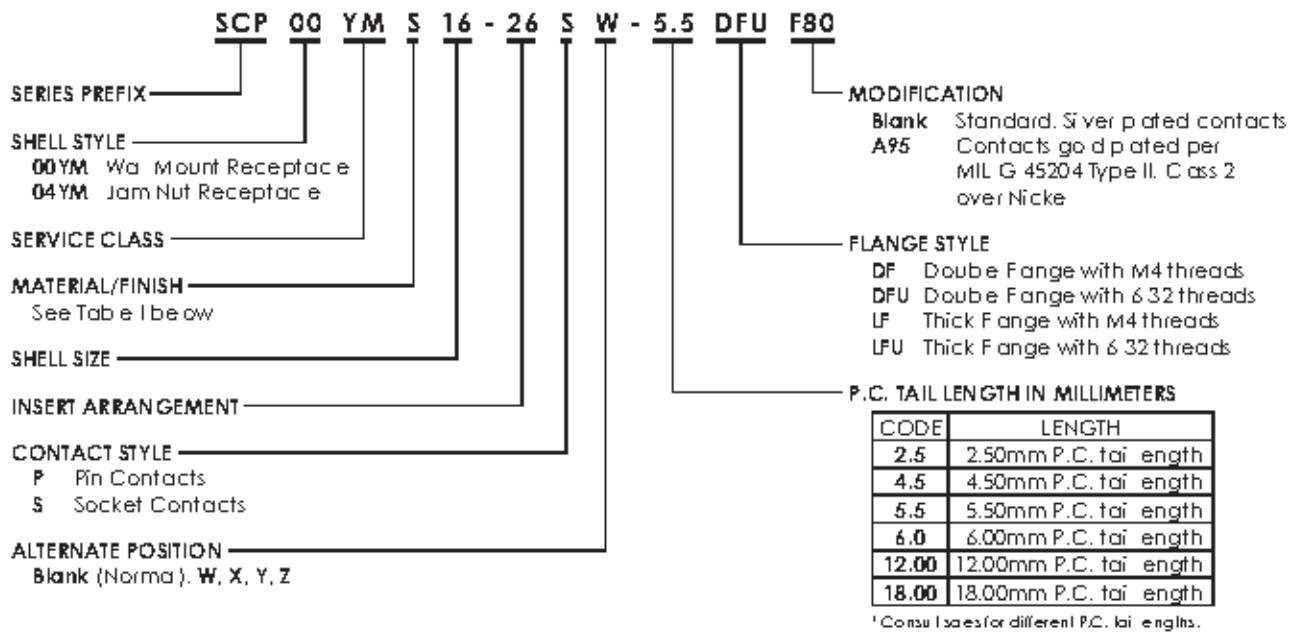
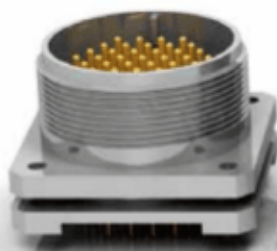
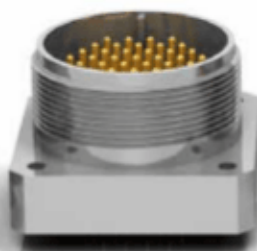


TABLE I

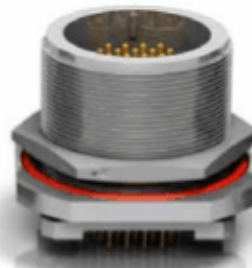
CODE	MATERIAL	FINISH
A	Aluminum	Black anodize
B	Aluminum	Black Cadmium, 48 hr sat spray
C	Aluminum	Bright Cadmium, 48 hr sat spray
D	Aluminum	Bright Cadmium over electroless nickel, 500 hr sat spray
E	Aluminum	Bright Cadmium over electroless nickel
F	Aluminum	Cadmium Gold Inlaid, 48 hr sat spray
G	Aluminum	Cadmium Gold Inlaid over electroless nickel, 500 hr sat spray
J	Aluminum	Dive Drab Cadmium, 48 hr sat spray
K	Aluminum	Dive Drab Cadmium over electroless nickel, 500 hr sat spray
L	Aluminum	Dive Drab Cadmium over electroless nickel
M	Aluminum	Electroless Nickel
N	Aluminum	Hard Anodize
P	303 Stainless steel	Black Cadmium
R	303 Stainless steel	Electrodeposited Nickel
S	303 Stainless steel	Passivated
T	316 Stainless steel	Passivated
Y	Aluminum	Zinc cobalt, dive drab color
Z	Aluminum	Zinc cobalt, black color



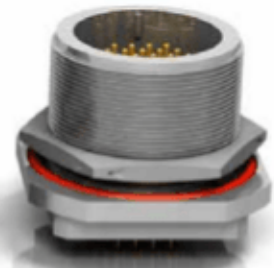
SCP00YM**DF
Double Flange



SCP00YM**LF
Thick Flange



SCP04YM**DF
Double Flange



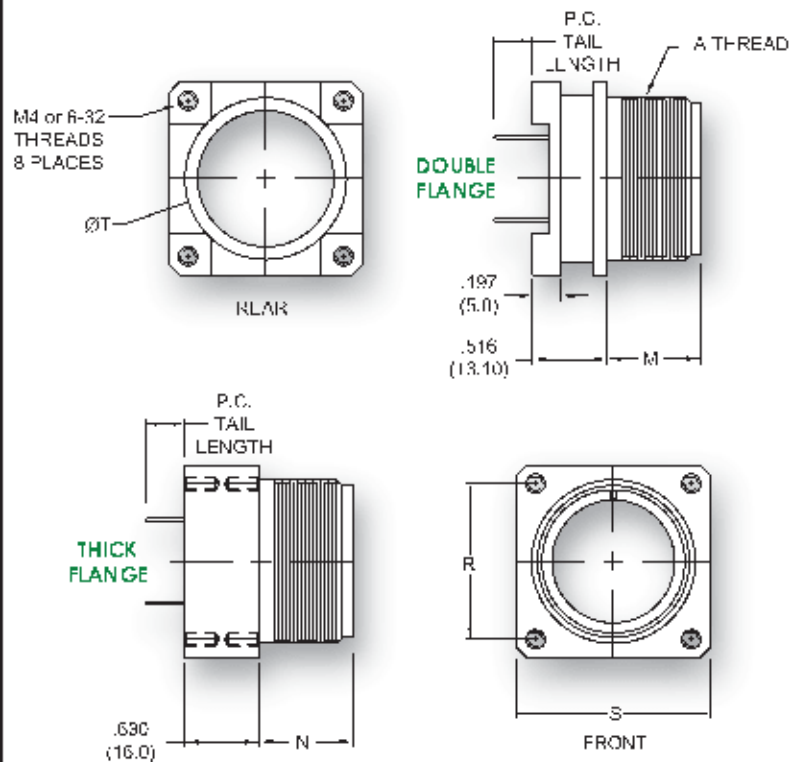
SCP04YM**LF
Thick Flange

WALL MOUNT RECEPTACLE

SCP00YM**DF/SCP00YM**LF

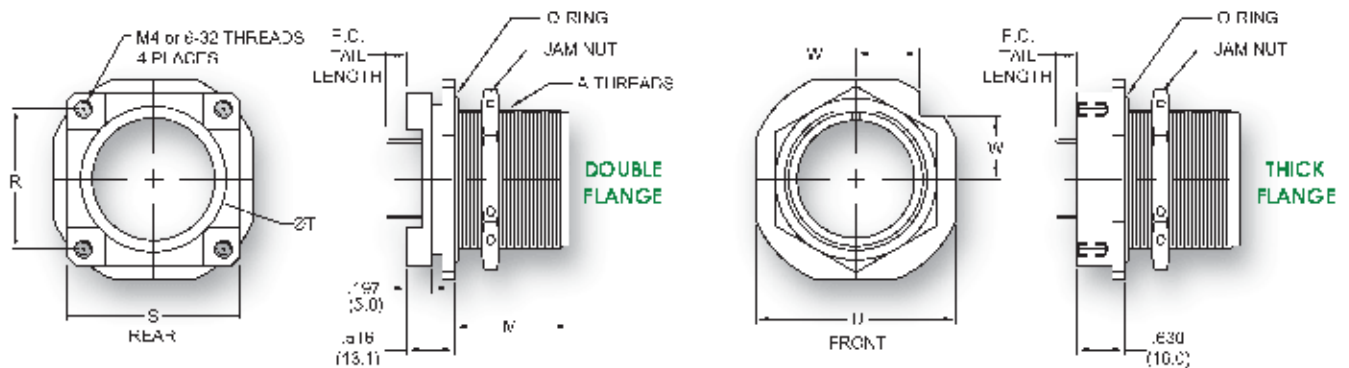
SHELL SIZE	A THREAD	M +.031 [0.79] -.000 [0.00]	N +.031 [0.79] -.000 [0.00]	R ±.005 [±0.13]	S ±.031 [±0.79]	T +.000 [0.00] -.006 [0.15]
10SL	5/8 24 UNEF	.562 [14.27]	.562 [14.27]	.719 [18.26]	1.000 [25.40]	.717 [18.21]
12S	3/4 20 UNEF	.562 [14.27]	.562 [14.27]	.812 [20.62]	1.094 [27.79]	.825 [20.96]
14S	7/8 20 UNEF	.562 [14.27]	.562 [14.27]	.906 [23.01]	1.188 [30.18]	.969 [24.61]
16S	1 20 UNEF	.562 [14.27]	.562 [14.27]	.969 [24.61]	1.281 [32.54]	1.079 [27.41]
16	1 20 UNEF	.750 [19.05]	.750 [19.05]	.969 [24.61]	1.281 [32.54]	1.079 [27.41]
16	1 1/8 18 UNEF	.750 [19.05]	.750 [19.05]	1.062 [26.97]	1.378 [35.00]	1.213 [30.81]
20	1 1/4 18 UNEF	.750 [19.05]	.750 [19.05]	1.156 [29.36]	1.496 [38.00]	1.346 [34.19]
22	1 3/8 18 UNEF	.750 [19.05]	.750 [19.05]	1.250 [31.75]	1.614 [41.00]	1.472 [37.39]
24	1 1/2 18 UNEF	.812 [20.62]	.812 [20.62]	1.375 [34.93]	1.752 [44.50]	1.610 [40.89]
28	1 3/4 18 UNS	.812 [20.62]	.812 [20.62]	1.562 [39.67]	2.000 [50.80]	1.639 [41.63]
32	2 18 UNS	.875 [22.23]	.875 [22.23]	1.750 [44.45]	2.244 [57.00]	2.102 [53.39]
36	2 1/4 18 UN	.875 [22.23]	.875 [22.23]	1.938 [49.23]	2.500 [63.50]	2.346 [59.59]
40	2 1/2 16 UN	.875 [22.23]	.875 [22.23]	2.188 [55.58]	2.752 [69.90]	2.579 [65.51]

Dimensions in brackets [] are in millimeters.



JAM NUT RECEPTACLE

SCP04YM**DF/SCP04YM**LF

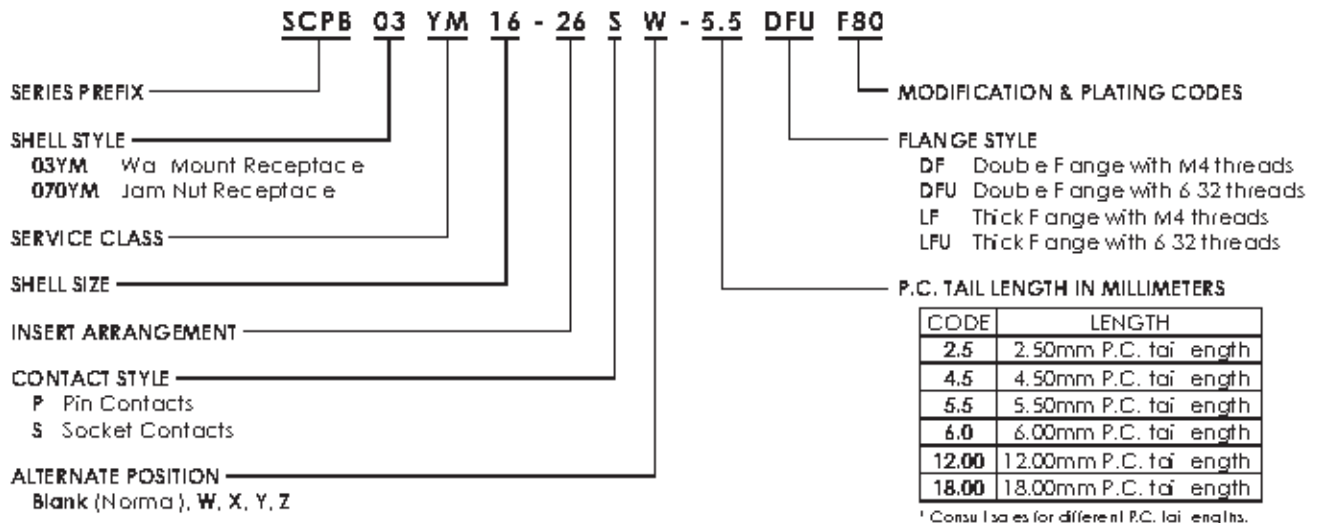


SHELL SIZE	A THREADS	M ±.010 [±0.31]	N ±.010 [±0.31]	R ±.004 [±0.10]	S ±.031 [±0.79]	T +.000 [0.00] -.008 [0.15]	U ±.012 [±0.31]	W ±.010 [±0.25]
10SL	5/8 24 UNEF	.806 [20.47]	.806 [20.47]	.719 [18.26]	1.000 [25.40]	.717 [18.21]	1.252 [31.80]	.354 [8.99]
12S	3/4 20 UNEF	.806 [20.47]	.806 [20.47]	.812 [20.62]	1.094 [27.79]	.825 [20.96]	1.125 [28.58]	.397 [10.08]
14S	7/8 24 UNEF	.869 [22.07]	.869 [22.07]	.906 [23.01]	1.188 [30.18]	.969 [24.61]	1.626 [41.30]	.442 [11.23]
16S	1 20 UNEF	.869 [22.07]	.869 [22.07]	.969 [24.61]	1.281 [32.54]	1.079 [27.41]	1.748 [44.40]	.486 [12.34]
16	1 20 UNEF	1.055 [26.80]	1.055 [26.80]	.969 [24.61]	1.281 [32.54]	1.079 [27.41]	1.748 [44.40]	.486 [12.34]
18	1 1/8 18 UNEF	1.055 [26.80]	1.055 [26.80]	1.062 [26.97]	1.375 [34.93]	1.213 [30.81]	1.874 [47.60]	.575 [14.61]
20	1 1/4 18 UNEF	1.055 [26.80]	1.055 [26.80]	1.156 [29.36]	1.500 [38.10]	1.346 [34.19]	2.000 [50.80]	.619 [15.72]
22	1 3/8 18 UNEF	1.055 [26.80]	1.055 [26.80]	1.250 [31.75]	1.625 [41.28]	1.472 [37.39]	2.252 [57.20]	.663 [16.84]
24	1 1/2 18 UNEF	1.088 [27.64]	1.088 [27.64]	1.375 [34.93]	1.750 [44.45]	1.610 [40.89]	2.252 [57.20]	.707 [17.96]
28	1 3/4 18 UNS	1.088 [27.64]	1.088 [27.64]	1.562 [39.67]	2.000 [50.80]	1.839 [46.71]	2.500 [63.50]	.795 [20.19]
32	2 18 UNS	1.056 [26.82]	1.056 [26.82]	1.750 [44.45]	2.250 [57.15]	2.102 [53.39]	2.748 [69.80]	.884 [22.45]
36	2 1/4 18 UN	1.118 [28.40]	1.118 [28.40]	1.938 [49.23]	2.500 [63.50]	2.346 [59.59]	3.000 [76.20]	.972 [24.69]
40	2 1/2 16 UN	1.118 [28.40]	1.118 [28.40]	2.188 [55.58]	2.750 [69.85]	2.579 [65.51]	3.287 [83.49]	1.060 [26.92]

Dimensions in brackets [] are in millimeters.

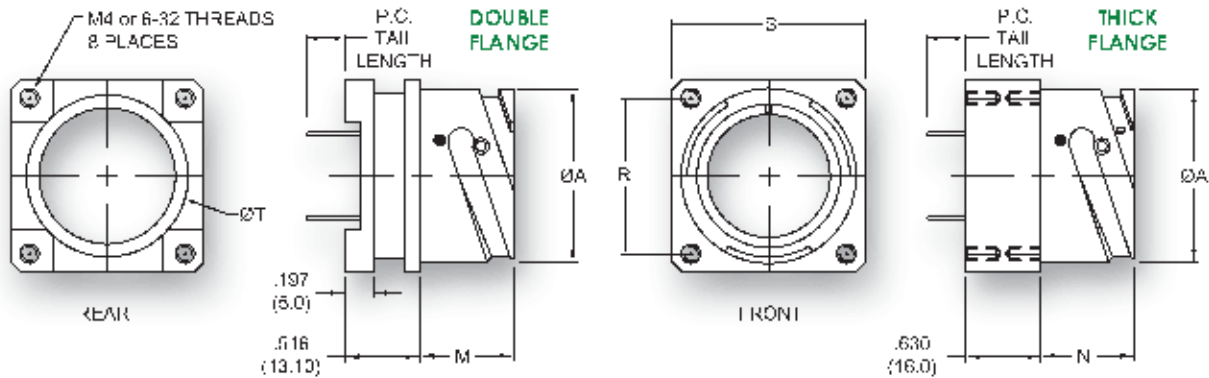
AS95234 REVERSE BAYONET

Ordering Information



WALL MOUNT RECEPTACLE

SCP B03YM**DF/SCP B03YM**LF

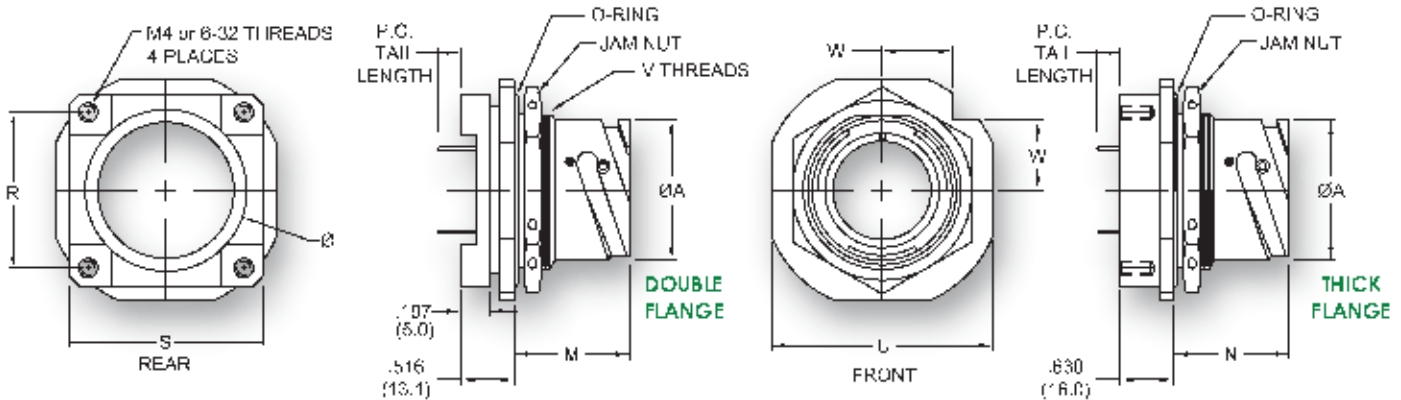


SHELL SIZE	A +.000 [0.00] -.006 [0.15]	M +.016 [0.40] -.000 [0.00]	N +.016 [0.40] -.000 [0.00]	R ±.004 [±0.10]	S ±.012 [±0.31]	T +.000 [0.00] -.006 [0.15]
10SL	.717 [18.21]	.717 [18.21]	.717 [18.21]	.717 [18.21]	1.000 [25.40]	.717 [18.21]
12S	.835 [21.21]	.717 [18.21]	.717 [18.21]	.809 [20.55]	1.100 [27.94]	.825 [20.96]
14S	.969 [24.61]	.717 [18.21]	.717 [18.21]	.906 [23.01]	1.181 [30.00]	.969 [24.61]
16S	1.079 [27.41]	.717 [18.21]	.717 [18.21]	.969 [24.61]	1.280 [32.51]	1.079 [27.41]
16	1.079 [27.41]	.907 [23.04]	.907 [23.04]	.969 [24.61]	1.280 [32.51]	1.079 [27.41]
18	1.213 [30.81]	.907 [23.04]	.907 [23.04]	1.063 [27.00]	1.378 [35.00]	1.213 [30.81]
20	1.346 [34.19]	.907 [23.04]	.907 [23.04]	1.157 [29.39]	1.496 [38.00]	1.346 [34.19]
22	1.472 [37.39]	.907 [23.04]	.907 [23.04]	1.252 [31.80]	1.614 [41.00]	1.472 [37.39]
24	1.610 [40.89]	.907 [23.04]	.907 [23.04]	1.374 [34.90]	1.752 [44.50]	1.610 [40.89]
28	1.839 [46.71]	.947 [24.05]	.947 [24.05]	1.563 [39.70]	2.000 [50.80]	1.839 [46.71]
32	2.102 [53.39]	.947 [24.05]	.947 [24.05]	1.752 [44.50]	2.244 [57.00]	2.102 [53.39]
36	2.346 [59.59]	.947 [24.05]	.947 [24.05]	1.937 [49.20]	2.500 [63.50]	2.346 [59.59]
40	2.579 [65.51]	.947 [24.05]	.947 [24.05]	2.185 [55.50]	2.752 [69.90]	2.579 [65.51]

Dimensions in brackets [] are in millimeters.

JAM NUT RECEPTACLE

SCPBO7YM**DF/SCPBO7YM**LF



SHELL SIZE	A +.000 [0.00] -.006 [0.15]	M +.016 [0.4] -.000 [0.0]	N +.016 [0.4] -.000 [0.0]	R ±.004 [±0.1]	S ±.012 [±0.31]	T +.000 [0.00] -.006 [0.15]	U ±.012 [±0.31]	V THREAD CLASS 2A	W MAX
10SL	.717 [18.21]	.965 [24.51]	.965 [24.51]	.717 [18.21]	1.000 [25.40]	.717 [18.21]	1.252 [31.80]	7/8 20 UNEF	.441 [11.20]
12S	.835 [21.21]	1.024 [26.01]	1.024 [26.01]	.809 [20.55]	1.100 [27.94]	.825 [20.96]	1.374 [34.90]	1 20 UNEF	.481 [12.22]
14S	.969 [24.61]	1.055 [26.80]	1.055 [26.80]	.906 [23.01]	1.181 [30.00]	.969 [24.61]	1.626 [41.30]	1 1/8 18 UNEF	.575 [14.61]
16S	1.079 [27.41]	1.055 [26.80]	1.055 [26.80]	.969 [24.61]	1.280 [32.51]	1.079 [27.41]	1.748 [44.40]	1 1/4 18 UNEF	.618 [15.70]
16	1.079 [27.41]	1.264 [32.11]	1.264 [32.11]	.969 [24.61]	1.280 [32.51]	1.079 [27.41]	1.748 [44.40]	1 1/4 18 UNEF	.618 [15.70]
18	1.213 [30.81]	1.327 [33.71]	1.327 [33.71]	1.063 [27.00]	1.378 [35.00]	1.213 [30.81]	1.874 [47.60]	1 3/8 18 UNEF	.661 [16.79]
20	1.346 [34.19]	1.327 [33.71]	1.327 [33.71]	1.157 [29.39]	1.496 [38.00]	1.346 [34.19]	2.000 [50.80]	1 1/2 18 UNEF	.709 [18.01]
22	1.472 [37.39]	1.327 [33.71]	1.327 [33.71]	1.252 [31.80]	1.614 [41.00]	1.472 [37.39]	2.252 [57.20]	1 5/6 16 UNEF	.795 [20.19]
24	1.610 [40.89]	1.327 [33.71]	1.327 [33.71]	1.374 [34.90]	1.752 [44.50]	1.610 [40.89]	2.252 [57.20]	1 3/4 18 UNEF	.795 [20.19]
28	1.839 [46.71]	1.386 [35.20]	1.386 [35.20]	1.563 [39.70]	2.000 [50.80]	1.639 [41.63]	2.500 [63.50]	2 18 UNS	.886 [22.50]
32	2.102 [53.39]	1.386 [35.20]	1.386 [35.20]	1.752 [44.50]	2.244 [57.00]	2.102 [53.39]	2.748 [69.80]	2 1/4 16 UN	.972 [24.69]
36	2.346 [59.59]	1.386 [35.20]	1.386 [35.20]	1.937 [49.20]	2.500 [63.50]	2.346 [59.59]	3.000 [76.20]	2 1/2 16 UN	1.059 [26.90]
40	2.579 [65.51]	1.386 [35.20]	1.386 [35.20]	2.185 [55.50]	2.752 [69.90]	2.579 [65.51]	3.287 [83.49]	2 3/4 16 UN	1.165 [29.59]

Dimensions in brackets [] are in millimeters.



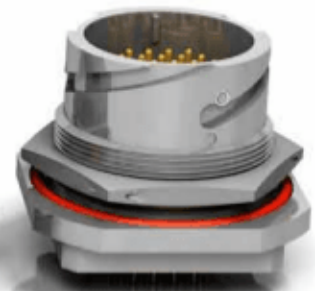
SCPBO3YM**DF
Double Flange



SCPBO3YM**LF
Thick Flange



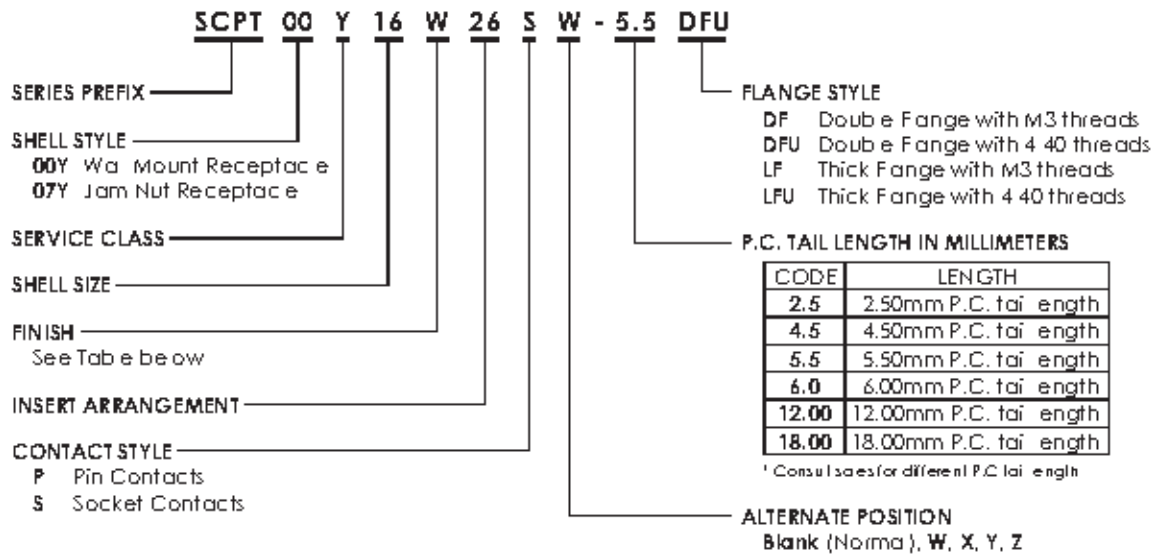
SCPBO7YM**DF
Double Flange



SCPBO7YM**LF
Thick Flange

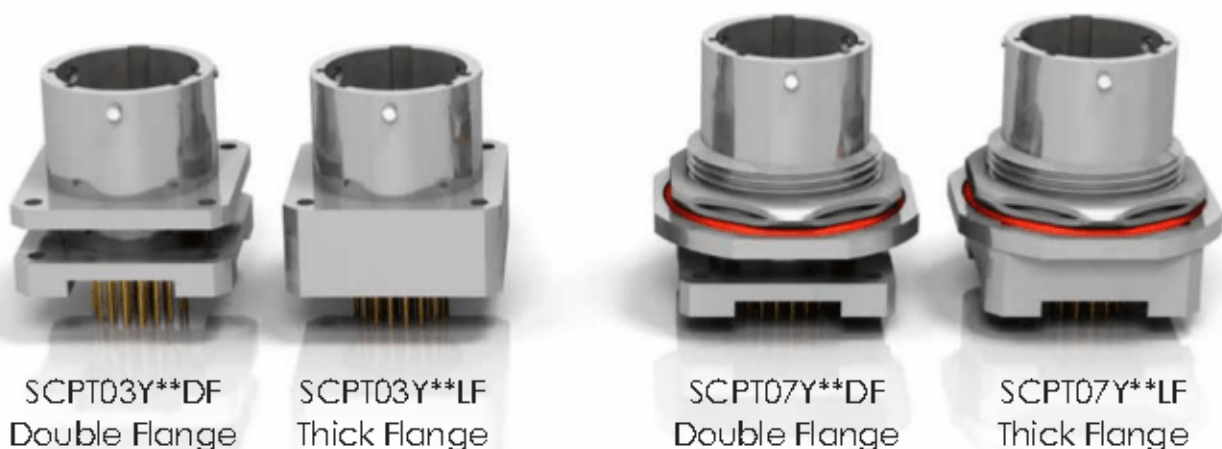
MIL-DTL-26482 SERIES I

Ordering Information



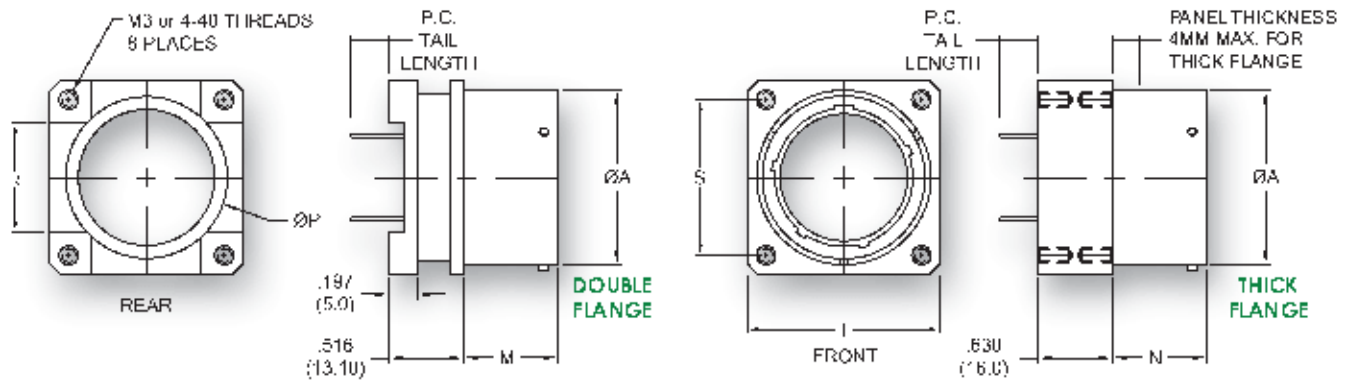
FINISH CODES

CODE	DESCRIPTION
-	Dive Drab Cadmium, 48 hours salt spray
A	Black Anodize In accordance with Class 2 of AMS A 8625, Type II
N	Electroless Nickel In accordance with Class 2 of AMS C 26074 or AMS 2404
W	Cadmium Dive drab over suitable underplate, 500 hour salt spray
X	Nickel fluorocarbon polymer, Nickel with fluorocarbon polymer additives over a suitable underplate to withstand 1,000 hours of salt spray testing. Final finish shall be electrically conductive
Z	Zinc Nickel In accordance with ASTM B841 over suitable underplate to withstand 1,000 hours of salt spray testing. Color shall be black, conductive and non reflective



WALL MOUNT RECEPTACLE

SCPT00Y**DF/SCPT00Y**LF

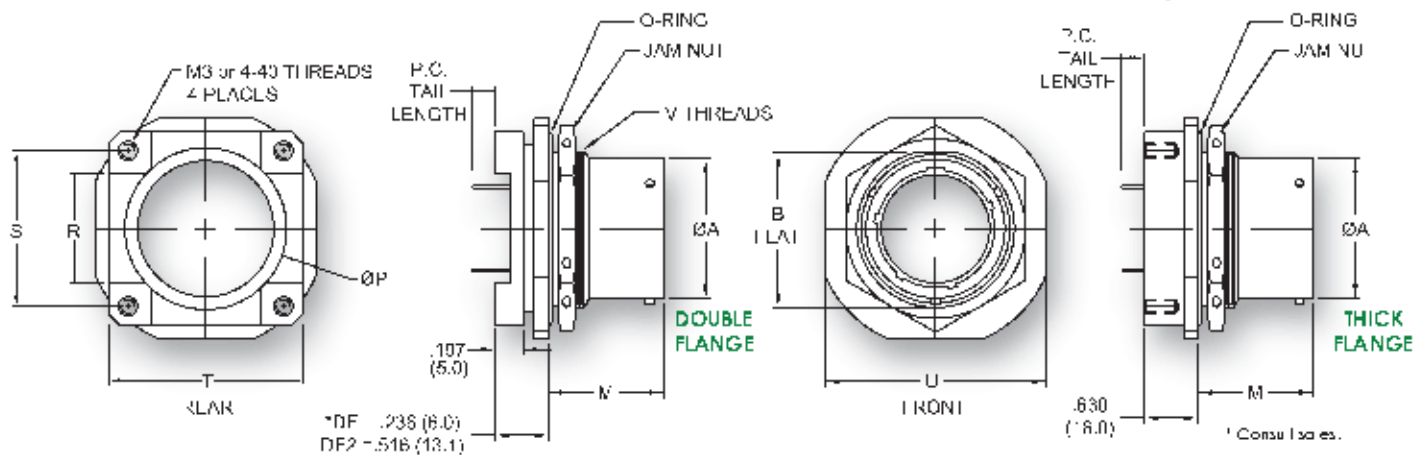


SHELL SIZE	A +.001 [0.03] -.005 [0.13]	M MAX	N MAX	P MAX	R MIN	S T.P.	T MAX
8	.473 [12.01]	.431 [10.95]	.475 [12.07]	.471 [11.96]	.239 [6.07]	.594 [15.09]	.828 [21.03]
10	.590 [14.99]	.431 [10.95]	.475 [12.07]	.588 [14.94]	.364 [9.25]	.719 [18.26]	.954 [24.23]
12	.750 [19.05]	.431 [10.95]	.475 [12.07]	.748 [18.99]	.455 [11.56]	.812 [20.63]	1.047 [26.59]
14	.875 [22.23]	.431 [10.95]	.475 [12.07]	.873 [22.17]	.551 [13.99]	.906 [23.01]	1.141 [28.98]
16	1.000 [25.40]	.431 [10.95]	.475 [12.07]	.998 [25.35]	.614 [15.60]	.969 [24.61]	1.234 [31.34]
18	1.125 [28.58]	.431 [10.95]	.475 [12.07]	1.123 [28.52]	.707 [17.96]	1.062 [26.97]	1.328 [33.73]
20	1.250 [31.75]	.556 [14.12]	.592 [15.04]	1.248 [31.70]	.801 [20.35]	1.156 [29.36]	1.453 [36.91]
22	1.375 [34.93]	.556 [14.12]	.592 [15.04]	1.373 [34.87]	.895 [22.73]	1.250 [31.75]	1.578 [40.08]
24	1.500 [38.10]	.599 [14.96]	.640 [16.26]	1.498 [38.05]	1.020 [25.91]	1.375 [34.93]	1.703 [43.26]

Dimensions in brackets [] are in millimeters.

JAM NUT RECEPTACLE

SCPT07Y**DF/SCPT07Y**LF



SHELL SIZE	A +.001 -.005	M ±.010	P MAX	R MIN	S T.P.	T MAX	U MAX	V THREADS CLASS 2A
8	.473 [12.01]	.705 [17.91]	.471 [11.96]	.239 [6.07]	.594 [15.09]	.828 [21.03]	.954 [24.23]	.5625 24 UNEF
10	.590 [14.99]	.705 [17.91]	.588 [14.94]	.364 [9.25]	.719 [18.26]	.954 [24.23]	1.078 [27.38]	.6875 24 UNEF
12	.750 [19.05]	.705 [17.91]	.748 [18.99]	.455 [11.56]	.812 [20.63]	1.047 [26.59]	1.266 [32.16]	.8750 20 UNEF
14	.875 [22.23]	.705 [17.91]	.873 [22.17]	.551 [13.99]	.906 [23.01]	1.141 [28.98]	1.391 [35.33]	1.000 20 UNEF
16	1.000 [25.40]	.705 [17.91]	.998 [25.35]	.614 [15.60]	.969 [24.61]	1.234 [31.34]	1.516 [38.51]	1.125 18 UNEF
18	1.125 [28.58]	.705 [17.91]	1.123 [28.52]	.707 [17.96]	1.062 [26.97]	1.328 [33.73]	1.641 [41.68]	1.250 18 UNEF
20	1.250 [31.75]	.893 [22.68]	1.248 [31.70]	.801 [20.35]	1.156 [29.36]	1.453 [36.91]	1.828 [46.43]	1.375 18 UNEF
22	1.375 [34.93]	.893 [22.68]	1.373 [34.87]	.895 [22.73]	1.250 [31.75]	1.578 [40.08]	1.954 [49.63]	1.500 18 UNEF
24	1.500 [38.10]	.926 [23.52]	1.498 [38.05]	1.020 [25.91]	1.375 [34.93]	1.703 [43.26]	2.078 [52.78]	1.625 18 UNEF

Dimensions in brackets [] are in millimeters.

MIL-DTL-38999 SERIES I, II, & III

Ordering Information

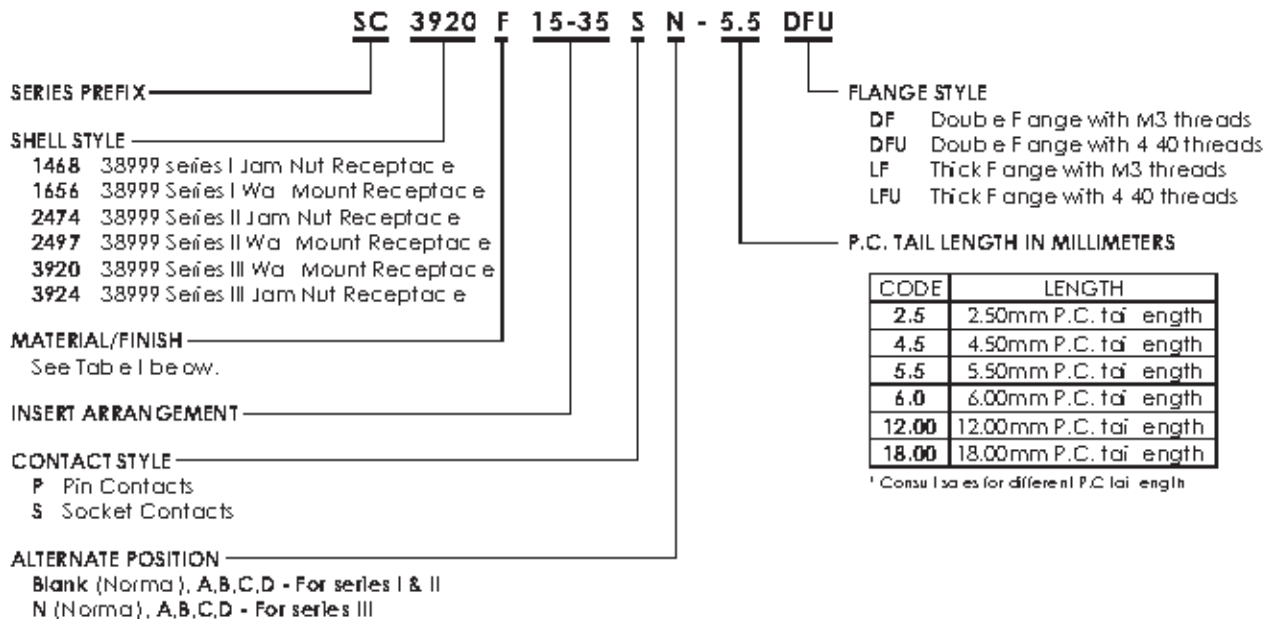


TABLE I

CODE	DESCRIPTION	MATERIAL	FINISH
C	Environmental	Aluminum	Non-conductive anodize, black
F	Environmental	Aluminum	Electroless nickel
K	Environmental firewire	Stainless Steel	Passivated
L	Environmental	Stainless Steel	Electrodeposited nickel
R	Environmental	Aluminum	Electrodeposited nickel
S	Environmental	Stainless Steel	Electrodeposited nickel
T	Environmental	Aluminum	Nickel-fluorocarbon polymer
W	Environmental	Aluminum	Cadmium olive drab 500 hr. salt spray
X	Environmental	Aluminum	Cadmium olive drab 1000 hr. salt spray
Z	Environmental	Aluminum	Zinc nickel, black, 500 hr.



SC1468**DF
Double Flange



SC1468**LF
Thick Flange



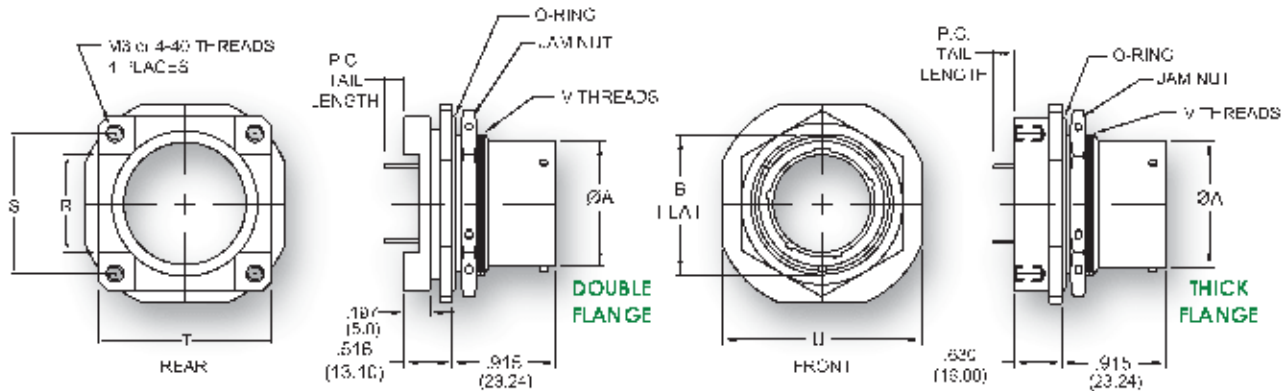
SC1656**DF
Double Flange



SC1656**LF
Thick Flange

SERIES I – JAM NUT RECEPTACLE

SC1468**DF/SC1468**LF

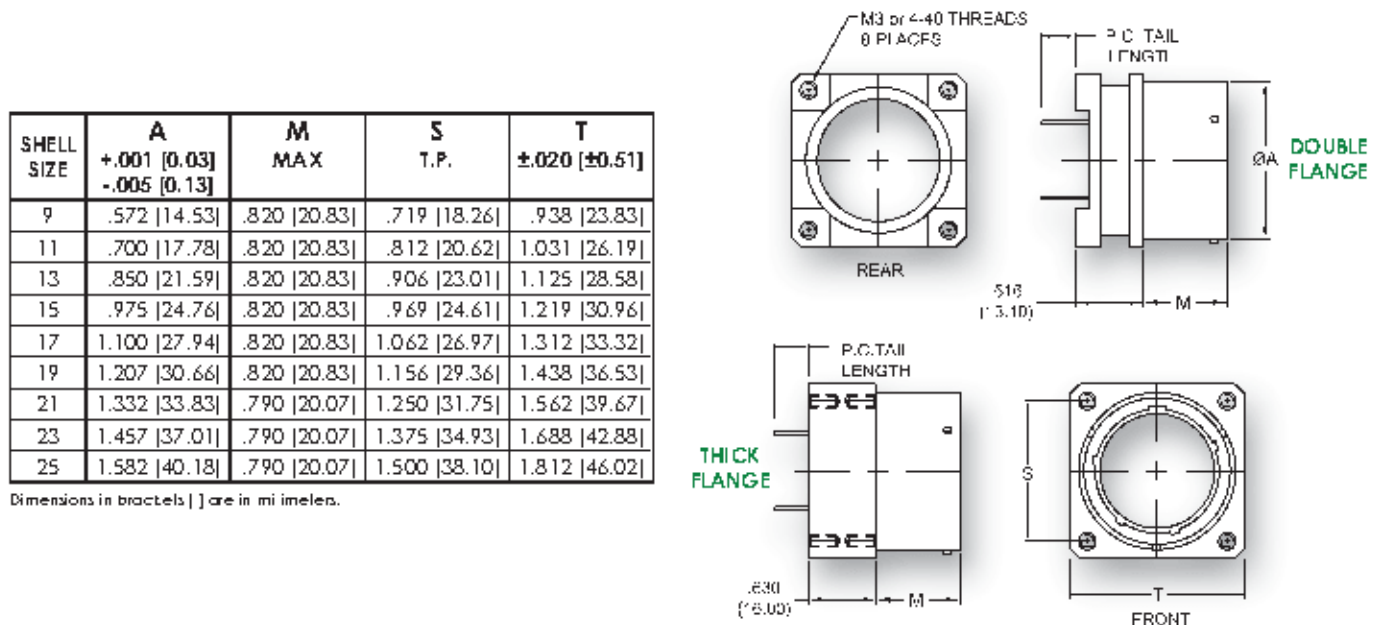


SHELL SIZE	A +.001 [0.03] -.005 [0.13]	B FLAT +.000 -.010	R MIN	S T.P.	T ±.020 [±0.51]	U MAX	V THREADS CLASS 2A
9	.572 [14.53]	0.655 [16.64]	.315 [6.00]	.719 [18.26]	.938 [23.63]	1.062 [26.97]	.6875 24 UNEF
11	.700 [17.78]	0.755 [19.18]	.394 [10.00]	.812 [20.62]	1.031 [26.19]	1.250 [31.75]	.8125 20 UNEF
13	.850 [21.59]	0.942 [23.93]	.512 [13.00]	.906 [23.01]	1.125 [26.58]	1.375 [34.93]	1.000 20 UNEF
15	.975 [24.76]	1.066 [27.08]	.591 [15.00]	.969 [24.61]	1.219 [30.96]	1.500 [36.10]	1.125 18 UNEF
17	1.100 [27.94]	1.191 [30.25]	.669 [17.00]	1.062 [26.97]	1.312 [33.32]	1.625 [41.28]	1.250 18 UNEF
19	1.207 [30.66]	1.316 [33.43]	.748 [19.00]	1.156 [29.36]	1.438 [36.53]	1.812 [46.02]	1.375 18 UNEF
21	1.332 [33.63]	1.441 [36.60]	.827 [21.00]	1.250 [31.75]	1.562 [39.67]	1.938 [49.23]	1.500 18 UNEF
23	1.457 [37.01]	1.566 [39.78]	.945 [24.00]	1.375 [34.93]	1.688 [42.88]	2.062 [52.37]	1.625 18 UNEF
25	1.582 [40.18]	1.691 [42.95]	1.024 [26.00]	1.500 [36.10]	1.812 [46.02]	2.168 [55.58]	1.750 18 UNS

Dimensions in brackets [] are in millimeters.

SERIES I – WALL MOUNT RECEPTACLE

SC1656**DF/SC1656**LF

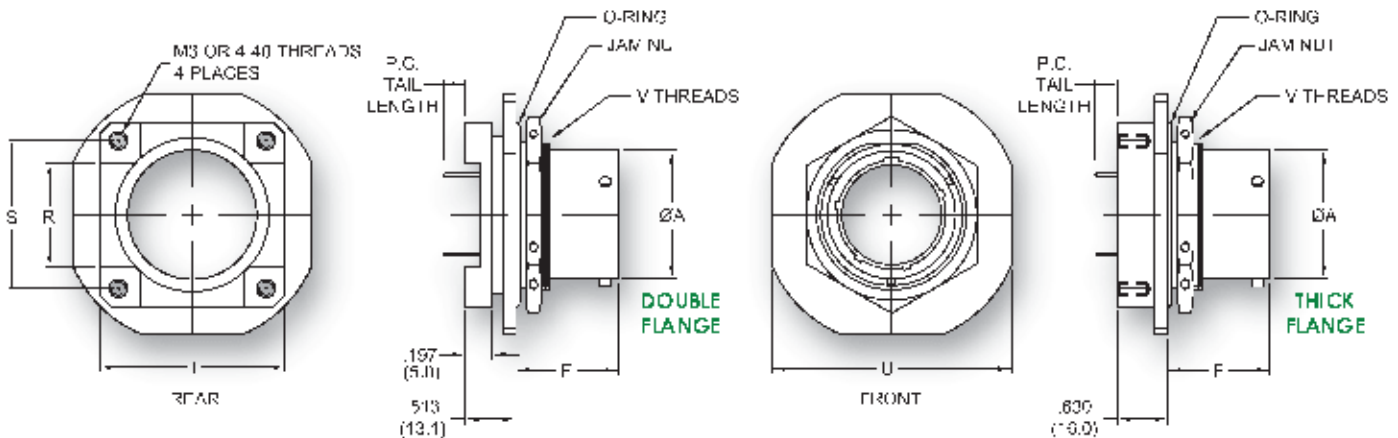


SHELL SIZE	A +.001 [0.03] -.005 [0.13]	M MAX	S T.P.	T ±.020 [±0.51]
9	.572 [14.53]	.820 [20.83]	.719 [18.26]	.938 [23.83]
11	.700 [17.78]	.820 [20.83]	.812 [20.62]	1.031 [26.19]
13	.850 [21.59]	.820 [20.83]	.906 [23.01]	1.125 [28.58]
15	.975 [24.76]	.820 [20.83]	.969 [24.61]	1.219 [30.96]
17	1.100 [27.94]	.820 [20.83]	1.062 [26.97]	1.312 [33.32]
19	1.207 [30.66]	.820 [20.83]	1.156 [29.36]	1.438 [36.53]
21	1.332 [33.83]	.790 [20.07]	1.250 [31.75]	1.562 [39.67]
23	1.457 [37.01]	.790 [20.07]	1.375 [34.93]	1.688 [42.88]
25	1.582 [40.18]	.790 [20.07]	1.500 [38.10]	1.812 [46.02]

Dimensions in brackets [] are in millimeters.

JAM NUT RECEPTACLE – SERIES II

SC2474**DF/SC2474**LF

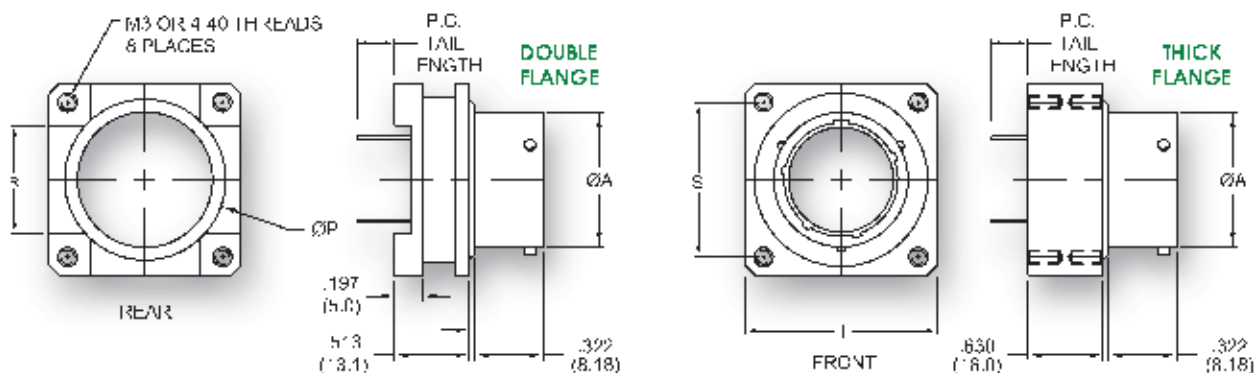


SHELL SIZE	ØA +.001 [0.03] -.005 [0.13]	F ±.005 [±0.13]	R MIN	S T.P.	T MAX	U ±.016 [±0.40]	V THREADS CLASS 2A
8	.473 [12.01]	.438 [11.13]	.315 [8.00]	.594 [15.09]	.828 [21.03]	1.250 [31.75]	.875 20 UNEF
10	.590 [14.99]	.438 [11.13]	.394 [10.00]	.719 [18.26]	.954 [24.23]	1.375 [34.93]	1.000 20 UNEF
12	.750 [19.05]	.438 [11.13]	.512 [13.00]	.812 [20.62]	1.047 [26.59]	1.500 [38.10]	1.125 18 UNEF
14	.875 [22.22]	.438 [11.13]	.591 [15.00]	.906 [23.01]	1.141 [28.98]	1.625 [41.28]	1.250 18 UNEF
16	1.000 [25.40]	.438 [11.13]	.669 [17.00]	.969 [24.61]	1.234 [31.34]	1.781 [45.24]	1.375 18 UNEF
18	1.125 [28.57]	.438 [11.13]	.748 [19.00]	1.062 [26.97]	1.328 [33.73]	1.890 [48.01]	1.500 18 UNEF
20	1.250 [31.75]	.464 [11.79]	.827 [21.00]	1.156 [29.36]	1.453 [36.91]	2.016 [51.21]	1.625 18 UNEF
22	1.375 [34.92]	.464 [11.79]	.945 [24.00]	1.250 [31.75]	1.578 [40.08]	2.140 [54.36]	1.750 18 UNS
24	1.500 [38.10]	.464 [11.79]	1.024 [26.00]	1.375 [34.92]	1.703 [43.26]	2.265 [57.53]	1.875 16 UN

Dimensions in brackets [] are in millimeters.

WALL MOUNT RECEPTACLE – SERIES II

SC2497**DF/SC2497**LF

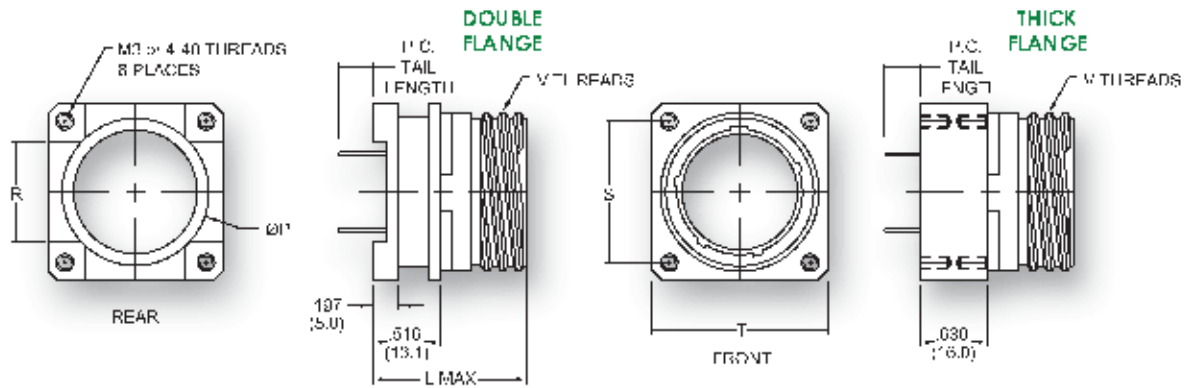


SHELL SIZE	ØA +.001 [0.03] -.005 [0.13]	P ±.005 [±0.13]	R +.008 [0.20] -.000 [0.00]	S T.P.	T MAX
8	.473 [12.01]	.520 [13.20]	.315 [8.00]	.594 [15.09]	.828 [21.03]
10	.590 [14.99]	.661 [16.80]	.394 [10.00]	.719 [18.26]	.954 [24.23]
12	.750 [19.05]	.795 [20.20]	.512 [13.00]	.812 [20.62]	1.047 [26.59]
14	.875 [22.22]	.937 [23.80]	.591 [15.00]	.906 [23.01]	1.141 [28.98]
16	1.000 [25.40]	1.024 [26.00]	.669 [17.00]	.969 [24.61]	1.234 [31.34]
18	1.125 [28.57]	1.161 [29.50]	.748 [19.00]	1.062 [26.97]	1.328 [33.73]
20	1.250 [31.75]	1.268 [32.20]	.827 [21.00]	1.156 [29.36]	1.453 [36.91]
22	1.375 [34.92]	1.398 [35.50]	.945 [24.00]	1.250 [31.75]	1.578 [40.08]
24	1.500 [38.10]	1.520 [38.60]	1.024 [26.00]	1.375 [34.92]	1.703 [43.26]

Dimensions in brackets [] are in millimeters.

SERIES III – WALL MOUNT RECEPTACLE

SC3920**DF/SC3920**LF

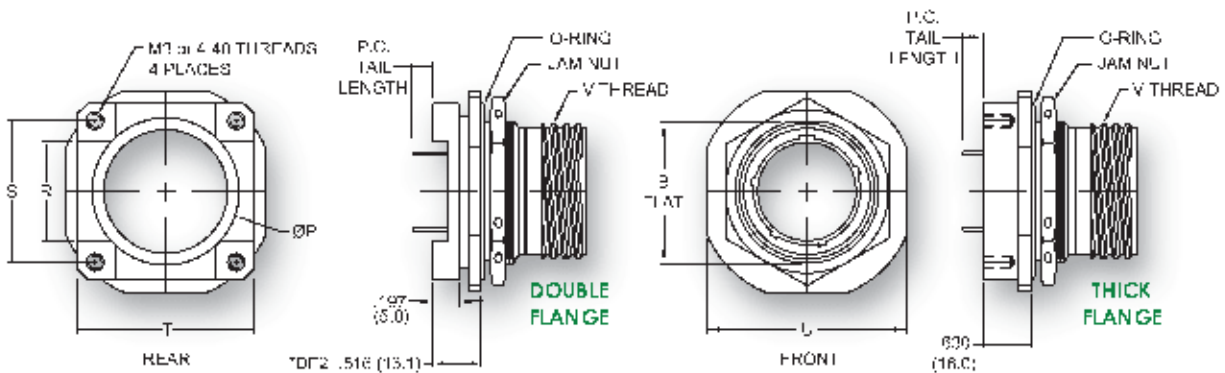


SHELL SIZE	L MAX	P ±.005 [±0.13]	R +.008 [0.20] - .000 [0.00]	S T.P.	T ±.010 [±0.25]	V THREAD, 2A 0.1 P-0.3L-TS
9	1.310 [33.28]	.520 [13.20]	.315 [8.00]	.630 [16.00]	.938 [23.83]	.6250
11	1.310 [33.28]	.661 [16.80]	.394 [10.00]	.719 [18.26]	1.031 [26.19]	.7500
13	1.310 [33.28]	.795 [20.20]	.512 [13.00]	.812 [20.62]	1.125 [28.58]	.8750
15	1.310 [33.28]	.937 [23.80]	.591 [15.00]	.906 [23.01]	1.219 [30.96]	1.0000
17	1.310 [33.28]	1.024 [26.00]	.669 [17.00]	1.028 [26.10]	1.312 [33.32]	1.1875
19	1.310 [33.28]	1.161 [29.50]	.748 [19.00]	1.072 [27.24]	1.438 [36.53]	1.2500
21	1.310 [33.28]	1.268 [32.20]	.827 [21.00]	1.156 [29.36]	1.562 [39.67]	1.3750
23	1.310 [33.28]	1.398 [35.50]	.945 [24.00]	1.250 [31.75]	1.688 [42.88]	1.5000
25	1.310 [33.28]	1.520 [38.60]	1.024 [26.00]	1.375 [34.93]	1.812 [46.02]	1.6250

Dimensions in brackets [] are in millimeters.

SERIES III – JAM NUT RECEPTACLE

SC3924**DF/SC3924**LF



† Consult sales.

SHELL SIZE	B FLAT +.004 [0.10] - .006 [0.15]	P ±.005 [±0.13]	R +.008 [0.20] - .004 [0.10]	S T.P.	T ±.010 [±0.25]	U MAX	V THREAD, 2A 0.1P-0.3L-TS
9	.651 [16.53]	.520 [13.20]	.315 [8.00]	.630 [16.00]	.938 [23.63]	1.063 [27.00]	.6250
11	.751 [19.07]	.661 [16.80]	.394 [10.00]	.719 [18.26]	1.031 [26.19]	1.252 [31.80]	.7500
13	.938 [23.82]	.795 [20.20]	.512 [13.00]	.812 [20.62]	1.125 [28.58]	1.374 [34.90]	.8750
15	1.062 [26.97]	.937 [23.80]	.591 [15.00]	.906 [23.01]	1.219 [30.96]	1.500 [38.10]	1.0000
17	1.187 [30.15]	1.024 [26.00]	.669 [17.00]	1.028 [26.10]	1.312 [33.32]	1.626 [41.30]	1.1875
19	1.312 [33.32]	1.161 [29.50]	.748 [19.00]	1.072 [27.24]	1.438 [36.53]	1.811 [46.00]	1.2500
21	1.437 [36.50]	1.278 [32.20]	.827 [21.00]	1.156 [29.36]	1.562 [39.67]	1.937 [49.20]	1.3750
23	1.562 [39.67]	1.398 [35.50]	.945 [24.00]	1.250 [31.75]	1.688 [42.88]	2.063 [52.40]	1.5000
25	1.687 [42.85]	1.520 [38.60]	1.024 [26.00]	1.375 [34.93]	1.812 [46.02]	2.189 [55.60]	1.6250

Dimensions in brackets [] are in millimeters.