

etronics

DuraLock

RUGGED HYBRID CONNECTORS

A REVERSE BAYONET COUPLING

DESIGNED AROUND

MIL-DTL-38999 INSERT ARRANGEMENTS

SCP39 SERIES



- ▶ Uses M39029 Contacts & Tools
- ▶ Uses M85049 Accessories
- ▶ Coupling provides a positive lock with an audible "Click" in 1/3 turn of the coupling nut
- ▶ Same footprint as MIL-STD-38999 Series III Square Flange Receptacle Shells & Plugs
- ▶ EMI/RFI Shell-to-Shell Grounding

SCPB39 SERIES

MIL-DTL-38999 SERIES III REVERSE BAYONET COUPLING ORDERING INFORMATION

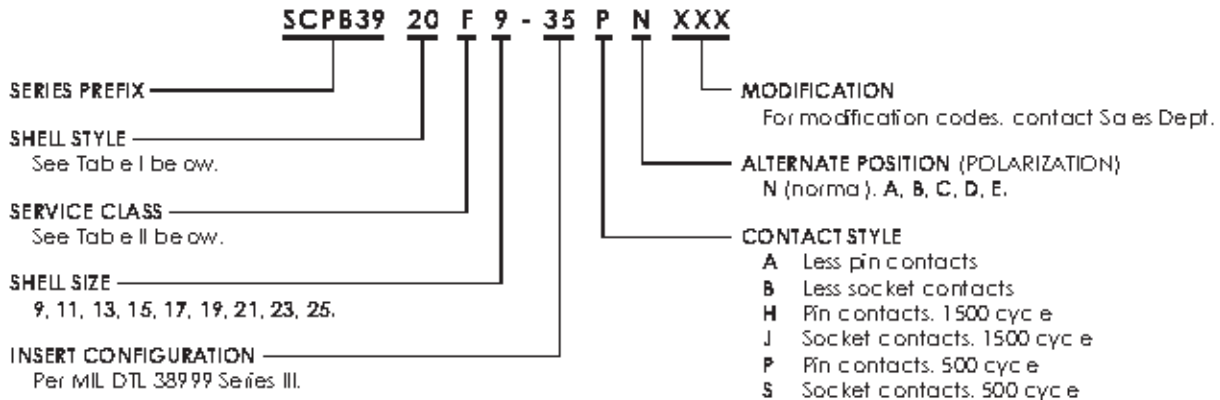


TABLE I. SHELL STYLE

PREFIX & SHELL STYLE	DESCRIPTION	AVAILABLE IN CLASS
SCPB3901	In-line receptacle	C, F, L, S, T, W, Z
SCPB3920	Wa-mount receptacle	C, F, L, S, T, W, Z
SCPB3924	Jam nut receptacle	C, F, L, S, T, W, Z
SCPB3926	Straight plug, see facing	C, F, L, S, T, W, Z

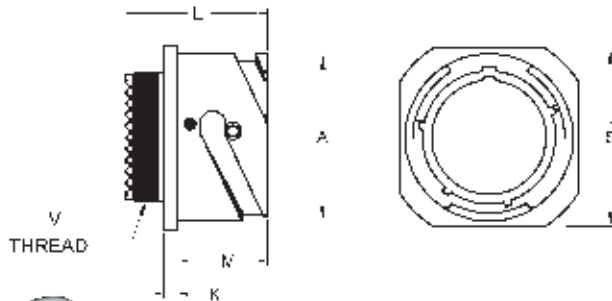
TABLE II. CLASS

CLASS	CLASS ¹	DESCRIPTION	MATERIAL	FINISH	TEMPERATURE
C	SVC	Environmenta	Aluminum	Non-conductive anodize, back	-65° to 200°C
F	SVF	Environmenta	Aluminum	Electroless nickel	-65° to 200°C
L	SVL	Environmenta	Stainless Steel	Electrodeposited nickel	-65° to 200°C
S	SVS	Environmenta	Stainless Steel	Passivated	-65° to 200°C
T	SVT	Environmenta	Aluminum	Nickel-fluorocarbon polymer	-65° to 175°C
W	SVW	Environmenta	Aluminum	Cadmium-oxide drag 500 hr. so t spray	-65° to 175°C
X	SVX	Environmenta	Aluminum	Zinc cobalt	-65° to 175°C
Y	SVY	Environmenta	Aluminum	Zinc cobalt, back	-65° to 175°C
Z	SVZ	Environmenta	Aluminum	Zinc nickel, back, 500 hr.	-65° to 175°C

¹ Integrated Backshell (not illustrated).

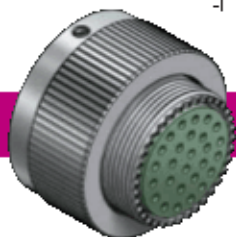


SCPB3901 IN-LINE RECEPTACLE

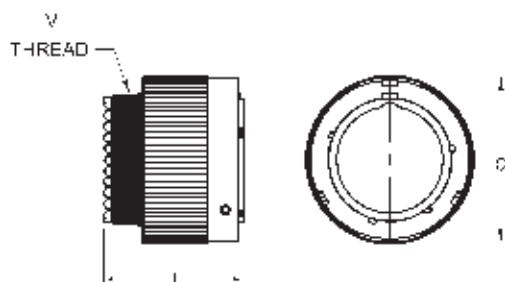


SHELL SIZE	A +0.00/-0.00 0.15/-0.00	K +0.38/+0.15 0.00/-0.00	L MAX	M +0.38/+0.15 0.00/-0.00	S ±0.30/+0.12	V THREADS
9	18.20/0.717	2.11/0.083	31.50/1.240	20.45/0.805	18.42/0.725	M12 x 1 eg
11	21.16/0.833	2.11/0.083	31.50/1.240	20.45/0.805	21.34/0.840	M15 x 1 eg
13	24.60/0.969	2.11/0.083	31.50/1.240	20.45/0.805	24.77/0.975	M18 x 1 eg
15	27.40/1.070	2.11/0.083	31.50/1.240	20.45/0.805	27.58/1.086	M22 x 1 eg
17	30.80/1.213	2.11/0.083	31.50/1.240	20.45/0.805	30.99/1.220	M25 x 1 eg
19	34.20/1.346	2.11/0.083	31.50/1.240	20.45/0.805	34.29/1.350	M28 x 1 eg
21	37.40/1.472	2.11/0.083	31.50/1.240	20.45/0.805	37.59/1.480	M31 x 1 eg
23	40.90/1.610	2.11/0.083	31.50/1.240	20.45/0.805	41.02/1.615	M34 x 1 eg
25	46.70/1.839	2.11/0.083	31.50/1.240	20.45/0.805	46.86/1.845	M37 x 1 eg

DIMENSIONS IN PARENTHESES ARE INCHES.



SCPB3926 STRAIGHT PLUG

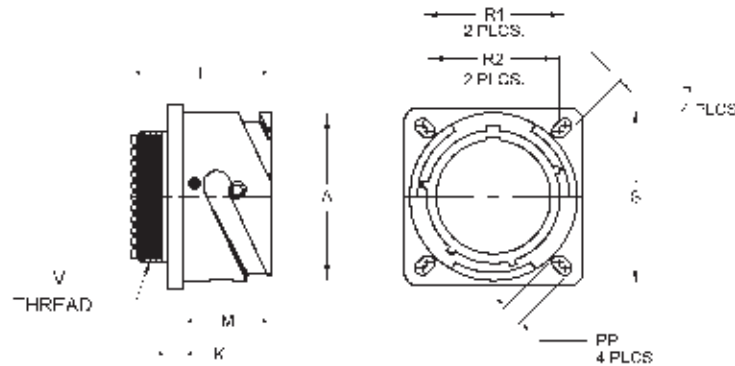
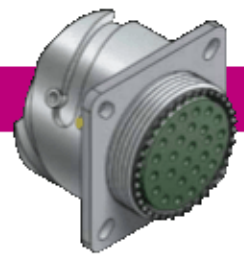


SHELL SIZE	Q MAX	L MAX	V THREADS
9	22.80/0.898	31.50/1.240	M12 x 1 eg
11	25.90/1.020	31.50/1.240	M15 x 1 eg
13	29.21/1.150	31.50/1.240	M18 x 1 eg
15	33.00/1.299	31.50/1.240	M22 x 1 eg
17	36.50/1.437	31.50/1.240	M25 x 1 eg
19	39.90/1.571	31.50/1.240	M28 x 1 eg
21	43.10/1.697	31.50/1.240	M31 x 1 eg
23	46.60/1.835	31.50/1.240	M34 x 1 eg
25	53.40/2.102	31.50/1.240	M37 x 1 eg

DIMENSIONS IN PARENTHESES ARE INCHES.

SCPB3920

WALL MOUNT RECEPTACLE

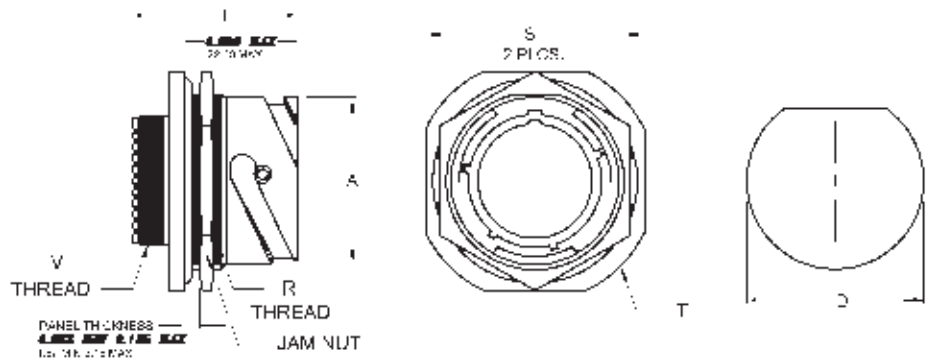


SHELL SIZE	A +0.00/+0.000 0.15/-0.006	K +0.38/+0.015 0.00/-0.000	L MAX	M +0.38/+0.015 0.00/-0.000	P ±0.20/±0.008	PP ±0.20/±0.005	R1	R2	S ±0.30/±0.012	V THREADS
9	18.20/0.717	2.11/0.083	31.50/1.240	20.45/0.805	3.25/0.128	5.49/0.216	18.26/0.719	15.09/0.594	23.80/0.937	M12 x 1.6g
11	21.16/0.833	2.11/0.083	31.50/1.240	20.45/0.805	3.25/0.128	4.93/0.194	20.62/0.812	18.26/0.719	26.20/1.031	M15 x 1.6g
13	24.60/0.969	2.11/0.083	31.50/1.240	20.45/0.805	3.25/0.128	4.93/0.194	23.01/0.906	20.02/0.812	28.60/1.126	M18 x 1.6g
15	27.40/1.079	2.11/0.083	31.50/1.240	20.45/0.805	3.25/0.128	4.93/0.194	24.61/0.969	23.01/0.906	31.00/1.220	M22 x 1.6g
17	30.80/1.213	2.11/0.083	31.50/1.240	20.45/0.805	3.25/0.128	4.93/0.194	26.07/1.062	24.61/0.969	33.30/1.311	M25 x 1.6g
19	34.20/1.346	2.11/0.083	31.50/1.240	20.45/0.805	3.25/0.128	4.93/0.194	29.36/1.156	26.97/1.062	36.50/1.437	M28 x 1.6g
21	37.40/1.472	2.11/0.083	31.50/1.240	20.45/0.805	3.25/0.128	4.93/0.194	31.75/1.250	29.36/1.156	39.70/1.563	M31 x 1.6g
23	40.90/1.610	2.11/0.083	31.50/1.240	20.45/0.805	3.91/0.154	6.15/0.242	34.93/1.375	31.75/1.250	42.90/1.689	M34 x 1.6g
25	46.70/1.839	2.11/0.083	31.50/1.240	20.45/0.805	3.91/0.154	6.15/0.242	38.10/1.500	34.93/1.375	46.00/1.811	M37 x 1.6g

DIMENSIONS IN ITALICS ARE INCHES.

SCPB3924

JAM NUT RECEPTACLE*



SHELL SIZE	A +0.00/+0.000 0.15/-0.006	K +0.90/+0.035 0.10/-0.004	L MAX	R THREADS	S ±0.40/±0.016	T ±0.30/±0.011	V THREADS	JAM NUT	D +0.25/+0.010 0.00/-0.000	E +0.00/+0.000 0.25/-0.010
9	18.20/0.717	2.21/0.087	32.51/1.280	M20 x 1.6g	31.80/1.252	34.90/1.374	M12 x 1.6g	D38999/28 2	20.96/0.825	19.59/0.771
11	21.16/0.833	2.21/0.087	32.51/1.280	M25 x 1.6g	34.90/1.374	38.10/1.500	M15 x 1.6g	D38999/28 3	25.65/1.010	24.26/0.955
13	24.60/0.969	2.21/0.087	32.51/1.280	M28 x 1.6g	38.10/1.500	41.30/1.626	M18 x 1.6g	D38999/28 4	28.83/1.135	27.56/1.085
15	27.40/1.079	2.21/0.087	32.51/1.280	M32 x 1.6g	41.30/1.626	44.50/1.752	M22 x 1.6g	D38999/28 6	32.01/1.260	30.73/1.210
17	30.80/1.213	2.21/0.087	32.51/1.280	M35 x 1.6g	46.00/1.811	49.20/1.937	M25 x 1.6g	D38999/28 8	35.18/1.385	33.91/1.335
19	34.20/1.346	3.00/0.118	32.51/1.280	M38 x 1.6g	49.20/1.937	52.40/2.063	M28 x 1.6g	D38999/28 9	38.35/1.510	37.08/1.460
21	37.40/1.472	3.00/0.118	32.51/1.280	M41 x 1.6g	52.40/2.063	55.60/2.189	M31 x 1.6g	D38999/28 10	41.53/1.635	40.26/1.585
23	40.90/1.610	3.00/0.118	32.51/1.280	M44 x 1.6g	55.60/2.189	58.70/2.311	M34 x 1.6g	D38999/28 11	44.70/1.760	43.43/1.710
25	46.70/1.839	3.00/0.118	32.51/1.280	M50 x 1.6g	61.70/2.429	64.80/2.551	M37 x 1.6g	SC99928 12	50.70/1.996	49.43/1.946

DIMENSIONS IN ITALICS ARE INCHES.

* The cut out for the Jam Nut Receptacle is one size larger than M1-DTL38999 Series.