

# etronics

## SecureSeal

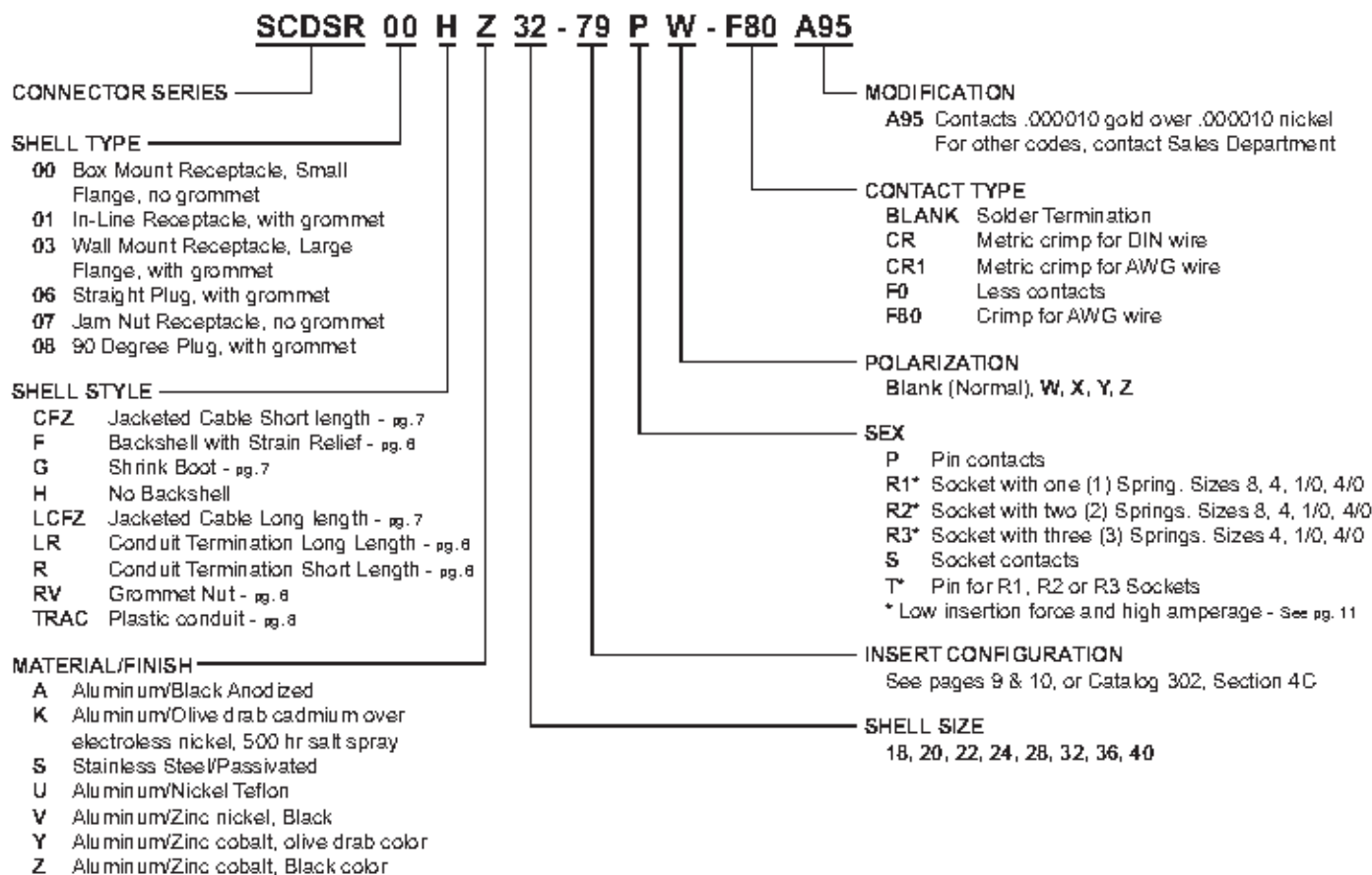
SCDSR SERIES CONNECTORS



**High Vibration**  
**Self-Locking Coupling Nut**  
**High Amperage Contacts**  
**Dust & Sand Resistant**

# SCDSR SERIES

## ORDERING INFORMATION



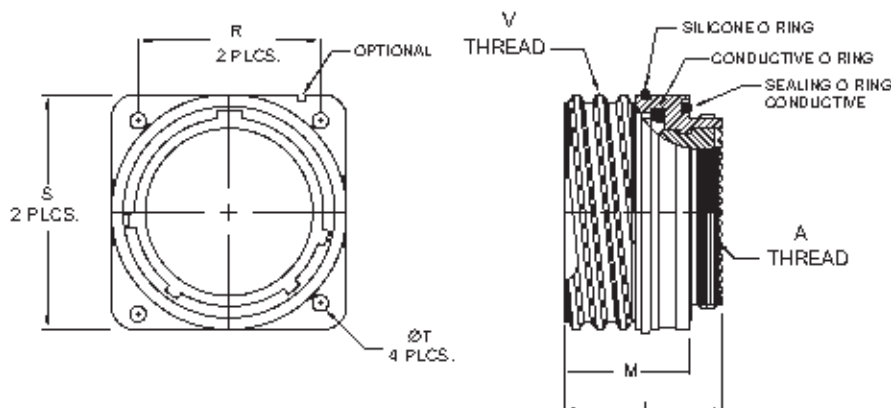
**This Series of connectors was designed to meet the rugged requirements for ground/army applications**

**Some of the features are:**

- ▶ High vibration tolerance.
- ▶ A self-locking coupling nut for the double-start Acme thread coupling nuts which eliminates the need for safety wiring.
- ▶ A unique shell sealing system that inhibits dust and sand from entering the connectors.
- ▶ The 5-keyway shell system adds stability to the connectors in a mated condition, contributing to their rugged environment performance.
- ▶ Inserts are made with a low smoke, self-extinguishing, halogen-free elastomeric material.
- ▶ Connectors have passed a six-foot water immersion test.
- ▶ Contact sizes 20, 18, 16, 12, 8, 4, 1/0 & 4/0 are available.
- ▶ Low insertion force, high amperage socket contacts are available in sizes 8, 4, 1/0 & 4/0.
- ▶ Shell sizes 18 thru 40 are available.

SCDSR00HZ\*

BOX MOUNT RECEPTACLE  
SMALL FLANGE  
FRONT PANEL MOUNTING

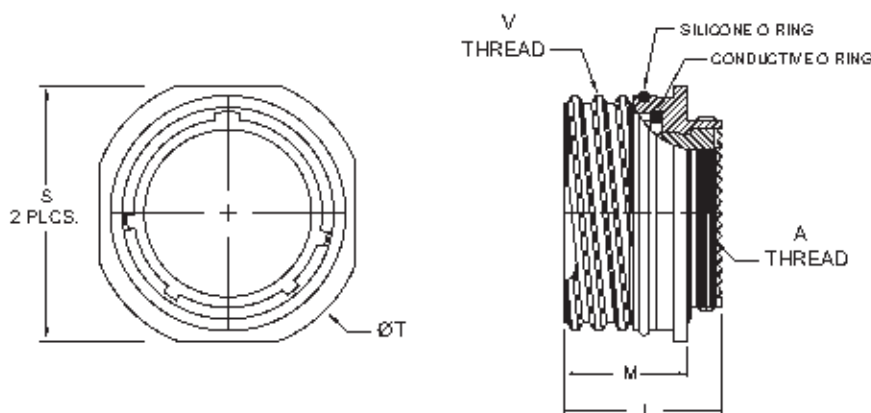


| SHELL SIZE | FRONT VIEW   |       |              |       |      |              | SIDE VIEW     |       |       |       |       |                     |
|------------|--------------|-------|--------------|-------|------|--------------|---------------|-------|-------|-------|-------|---------------------|
|            | R            |       | S            |       | T    |              | A THREAD      | L MAX |       | M MAX |       | V DS-2A-60° THREADS |
|            | ±0.134 ±.005 |       | ±0.254 ±.010 |       |      | ±0.134 ±.005 |               |       |       |       |       |                     |
| 18         | 27.00        | 1.063 | 35.00        | 1.378 | 3.28 | 0.129        | 1.000-20 UNEF | 34.93 | 1.375 | 24.21 | 0.953 | 1.250               |
| 20         | 29.39        | 1.157 | 38.00        | 1.496 | 3.28 | 0.129        | 1.125-18 UNEF | 34.93 | 1.375 | 24.21 | 0.953 | 1.375               |
| 22         | 31.80        | 1.252 | 41.00        | 1.614 | 3.28 | 0.129        | 1.250-18 UNEF | 34.93 | 1.375 | 24.21 | 0.953 | 1.500               |
| 24         | 35.00        | 1.374 | 44.50        | 1.752 | 3.73 | 0.147        | 1.375-18 UNEF | 36.45 | 1.435 | 26.59 | 1.047 | 1.750               |
| 28         | 39.70        | 1.563 | 50.80        | 2.000 | 3.73 | 0.147        | 1.625-18 UNEF | 36.45 | 1.435 | 26.59 | 1.047 | 2.000               |
| 32         | 44.50        | 1.752 | 57.15        | 2.250 | 4.40 | 0.173        | 1.875-16 UN   | 36.45 | 1.435 | 28.19 | 1.110 | 2.250               |
| 36         | 49.20        | 1.937 | 63.50        | 2.500 | 4.40 | 0.173        | 2.062-16 UNS  | 36.45 | 1.435 | 28.19 | 1.110 | 2.500               |
| 40         | 55.50        | 2.185 | 69.90        | 2.752 | 4.40 | 0.173        | 2.312-16 UNS  | 36.45 | 1.435 | 28.19 | 1.110 | 2.750               |

DIMENSIONS IN ITALICS ARE INCHES.

SCDSR01HZ\*

IN-LINE RECEPTACLE

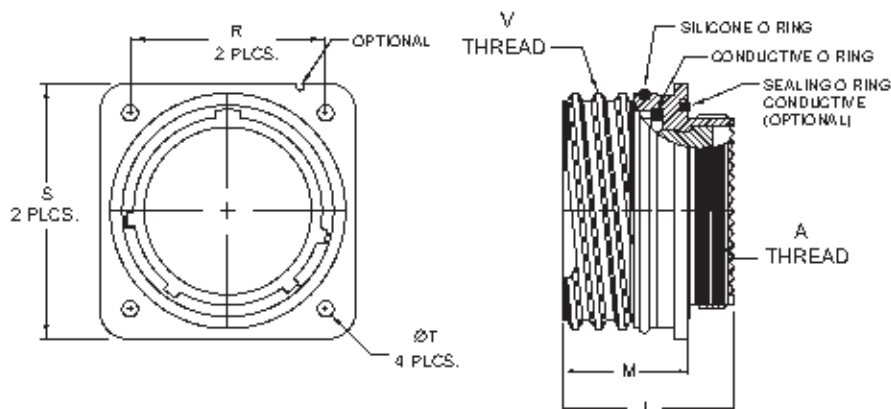


| SHELL SIZE | FRONT VIEW   |       |              |       | SIDE VIEW     |       |       |       |       |                     |
|------------|--------------|-------|--------------|-------|---------------|-------|-------|-------|-------|---------------------|
|            | S            |       | T            |       | A THREAD      | L MAX |       | M MAX |       | V DS-2A-60° THREADS |
|            | ±0.384 ±.015 |       | ±0.254 ±.010 |       |               |       |       |       |       |                     |
| 18         | 34.93        | 1.375 | 41.28        | 1.625 | 1.000-20 UNEF | 40.08 | 1.578 | 24.21 | 0.953 | 1.250               |
| 20         | 38.10        | 1.500 | 44.45        | 1.750 | 1.125-18 UNEF | 40.08 | 1.578 | 24.21 | 0.953 | 1.375               |
| 22         | 41.28        | 1.625 | 47.63        | 1.875 | 1.250-18 UNEF | 40.08 | 1.578 | 24.21 | 0.953 | 1.500               |
| 24         | 47.63        | 1.875 | 53.98        | 2.125 | 1.375-18 UNEF | 41.68 | 1.647 | 26.59 | 1.047 | 1.750               |
| 28         | 53.98        | 2.125 | 60.33        | 2.375 | 1.625-18 UNEF | 41.68 | 1.647 | 26.59 | 1.047 | 2.000               |
| 32         | 60.33        | 2.375 | 66.68        | 2.625 | 1.875-16 UN   | 41.68 | 1.640 | 28.19 | 1.110 | 2.250               |
| 36         | 66.68        | 2.625 | 73.03        | 2.875 | 2.062-16 UNS  | 41.68 | 1.640 | 28.19 | 1.110 | 2.500               |
| 40         | 76.20        | 3.000 | 79.38        | 3.125 | 2.312-16 UNS  | 46.05 | 1.813 | 28.19 | 1.110 | 2.750               |

DIMENSIONS IN ITALICS ARE INCHES.

# SCDSR03HZ\*

**WALL MOUNT RECEPTACLE  
LARGE FLANGE  
FRONT OR REAR PANEL MOUNTING**

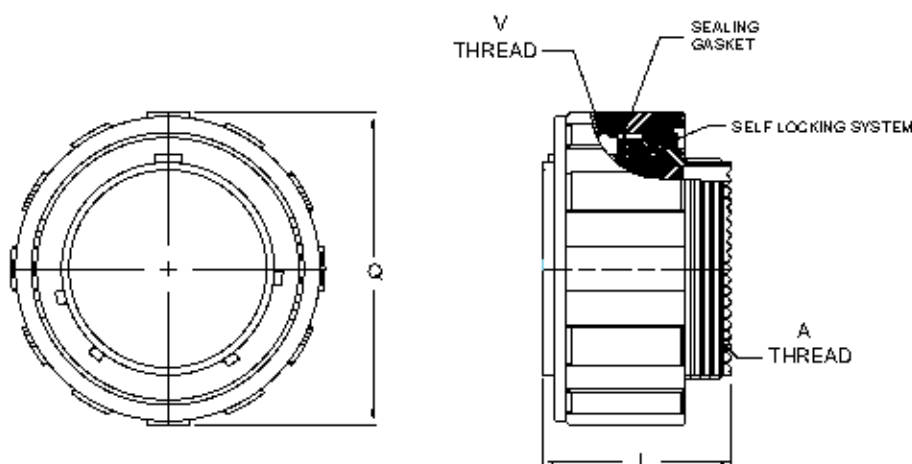


| SHELL SIZE | FRONT VIEW       |       |                  |       |                  |       | SIDE VIEW     |          |          |                           |       |       |
|------------|------------------|-------|------------------|-------|------------------|-------|---------------|----------|----------|---------------------------|-------|-------|
|            | R<br>±0.13 ±0.05 |       | S<br>±0.25 ±0.10 |       | T<br>±0.05 ±0.02 |       | A<br>THREAD   | L<br>MAX | M<br>MAX | V<br>DS-2A-60°<br>THREADS |       |       |
| 18         | 29.36            | 1.156 | 38.10            | 1.500 | 4.57             | 0.180 | 1.000-20 UNEF | 40.08    | 1.578    | 24.21                     | 0.953 | 1.250 |
| 20         | 31.75            | 1.250 | 41.28            | 1.625 | 4.57             | 0.180 | 1.125-18 UNEF | 40.08    | 1.578    | 24.21                     | 0.953 | 1.375 |
| 22         | 34.93            | 1.375 | 44.45            | 1.750 | 4.57             | 0.180 | 1.250-18 UNEF | 40.08    | 1.578    | 24.21                     | 0.953 | 1.500 |
| 24         | 39.67            | 1.562 | 50.80            | 2.000 | 4.57             | 0.180 | 1.375-18 UNEF | 41.68    | 1.641    | 26.59                     | 1.047 | 1.750 |
| 28         | 44.45            | 1.750 | 57.15            | 2.250 | 4.57             | 0.180 | 1.625-18 UNEF | 41.68    | 1.641    | 26.59                     | 1.047 | 2.000 |
| 32         | 49.23            | 1.938 | 63.50            | 2.500 | 5.38             | 0.212 | 1.875-16 UN   | 41.76    | 1.644    | 28.19                     | 1.110 | 2.250 |
| 36         | 55.58            | 2.188 | 69.85            | 2.750 | 5.38             | 0.212 | 2.062-16 UNS  | 41.76    | 1.644    | 28.19                     | 1.110 | 2.500 |
| 40         | 60.33            | 2.375 | 76.20            | 3.000 | 5.38             | 0.212 | 2.312-16 UNS  | 41.76    | 1.644    | 28.19                     | 1.110 | 2.750 |

DIMENSIONS IN ITALICS ARE INCHES.

# SCDSR06HZ\*

**STRAIGHT PLUG**

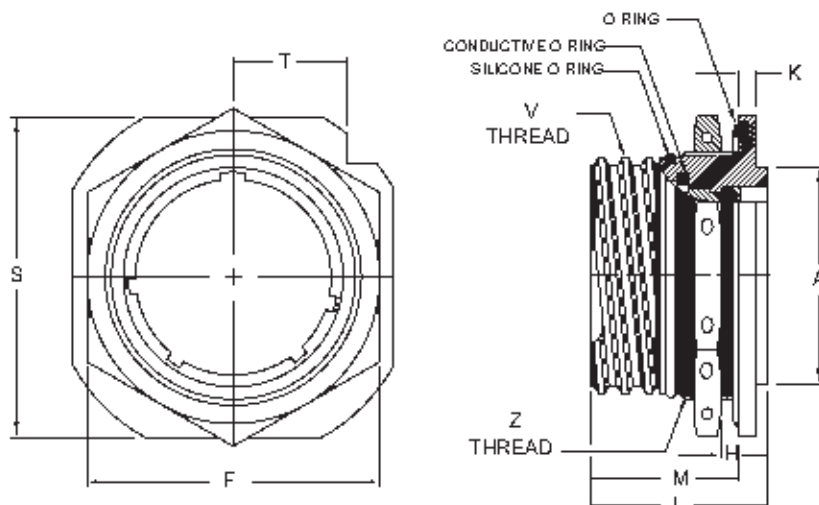


| SHELL SIZE | FRONT VIEW     | SIDE VIEW        |                |                           |
|------------|----------------|------------------|----------------|---------------------------|
|            | Q<br>MAX       | A<br>THREAD      | L<br>MAX       | V<br>DS-2B-60°<br>THREADS |
| 18         | 42.67<br>1.680 | 1.000-20<br>UNEF | 43.18<br>1.700 | 1.250                     |
| 20         | 48.26<br>1.900 | 1.125-18<br>UNEF | 43.18<br>1.700 | 1.375                     |
| 22         | 50.80<br>2.000 | 1.250-18<br>UNEF | 43.18<br>1.700 | 1.500                     |
| 24         | 57.15<br>2.250 | 1.375-18<br>UNEF | 43.94<br>1.730 | 1.750                     |
| 28         | 63.50<br>2.500 | 1.625-18<br>UNEF | 43.94<br>1.730 | 2.000                     |
| 32         | 68.58<br>2.700 | 1.875-16<br>UN   | 44.70<br>1.760 | 2.250                     |
| 36         | 74.93<br>2.950 | 2.062-16<br>UNS  | 44.70<br>1.760 | 2.500                     |
| 40         | 82.55<br>3.250 | 2.312-16<br>UNS  | 44.70<br>1.760 | 2.750                     |

DIMENSIONS IN ITALICS ARE INCHES.

# SCDSR07HZ\*

## JAM NUT RECEPTACLE



|    | FRONT VIEW   |       |       |       |              |       | SIDE VIEW       |       |      |       |              |       |              |       |              |       |                   |       |        |               |   |  |
|----|--------------|-------|-------|-------|--------------|-------|-----------------|-------|------|-------|--------------|-------|--------------|-------|--------------|-------|-------------------|-------|--------|---------------|---|--|
|    | S            |       | T     |       | MAX          |       | A               |       | H    |       |              |       | K            |       | L            |       | M                 |       | V      |               | Z |  |
|    | ±0.254 ±.010 |       | MAX   |       | ±0.284 ±.011 |       | PANEL THICKNESS |       |      |       | ±0.254 ±.010 |       | ±0.284 ±.011 |       | ±0.134 ±.005 |       | DS-2A-60° THREADS |       | THREAD |               |   |  |
|    |              |       |       |       |              |       |                 |       | MN   | MAX   |              |       |              |       |              |       |                   |       |        |               |   |  |
| 18 | 39.67        | 1.562 | 47.62 | 1.875 | 17.09        | 0.673 | 25.78           | 1.015 | 2.39 | 0.094 | 6.76         | 0.266 | 4.77         | 0.188 | 40.08        | 1.578 | 30.56             | 1.203 | 1.250  | 1.375-18 UNEF |   |  |
| 20 | 44.45        | 1.750 | 50.80 | 2.000 | 18.21        | 0.717 | 29.74           | 1.171 | 2.39 | 0.094 | 6.76         | 0.266 | 4.77         | 0.188 | 40.08        | 1.578 | 30.56             | 1.203 | 1.375  | 1.500-18 UNEF |   |  |
| 22 | 47.63        | 1.875 | 53.97 | 2.125 | 19.33        | 0.761 | 32.92           | 1.296 | 2.39 | 0.094 | 6.76         | 0.266 | 4.77         | 0.188 | 40.08        | 1.578 | 30.56             | 1.203 | 1.500  | 1.625-18 UNEF |   |  |
| 24 | 53.98        | 2.125 | 60.32 | 2.375 | 21.59        | 0.850 | 36.09           | 1.421 | 2.39 | 0.094 | 8.33         | 0.328 | 4.77         | 0.188 | 41.68        | 1.641 | 32.16             | 1.266 | 1.750  | 1.875-16 UN   |   |  |
| 28 | 60.33        | 2.375 | 66.67 | 2.625 | 23.83        | 0.938 | 41.23           | 1.625 | 2.39 | 0.094 | 8.33         | 0.328 | 5.56         | 0.279 | 41.68        | 1.641 | 33.76             | 1.329 | 2.000  | 2.125-16 UN   |   |  |
| 32 | 66.68        | 2.625 | 73.02 | 2.875 | 26.08        | 1.027 | 48.03           | 1.891 | 2.39 | 0.094 | 8.33         | 0.328 | 5.56         | 0.279 | 41.68        | 1.641 | 33.76             | 1.329 | 2.250  | 2.375-16 UN   |   |  |
| 36 | 73.03        | 2.875 | 79.38 | 3.125 | 28.30        | 1.114 | 52.78           | 2.078 | 2.39 | 0.094 | 8.33         | 0.328 | 5.56         | 0.279 | 41.68        | 1.641 | 33.76             | 1.329 | 2.500  | 2.625-16 UN   |   |  |
| 40 | 79.38        | 3.125 | 86.51 | 3.406 | 30.81        | 1.213 | 58.72           | 2.312 | 2.39 | 0.094 | 8.33         | 0.328 | 5.56         | 0.279 | 41.68        | 1.641 | 33.76             | 1.329 | 2.750  | 2.875-16 UN   |   |  |

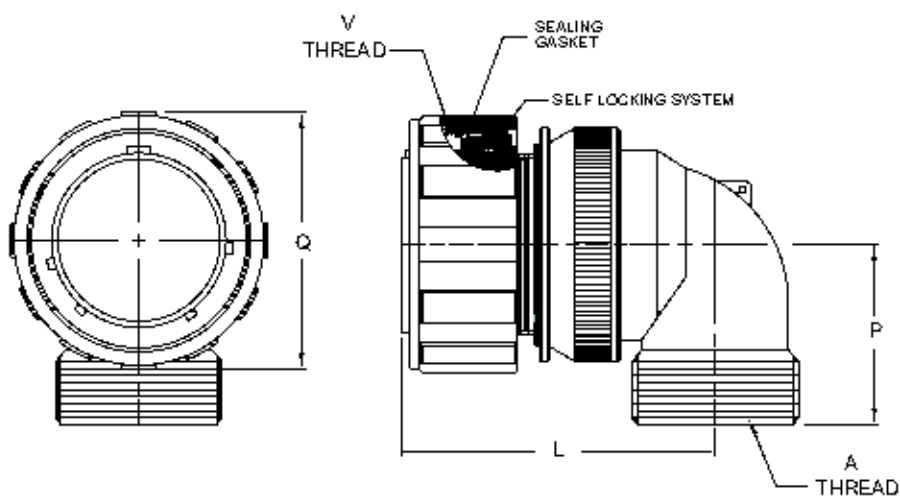
DIMENSIONS IN ITALICS ARE INCHES.

# SCDSR08RZ\*

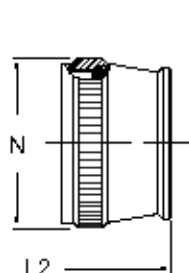
## 90° PLUG

| SHELL SIZE | FRONT VIEW     | SIDE VIEW        |                |                |                     |  |
|------------|----------------|------------------|----------------|----------------|---------------------|--|
|            | Q MAX          | A THREAD         | L MAX          | P MAX          | V DS-2B-60° THREADS |  |
| 18         | 42.67<br>1.680 | 1.000-20<br>UNEF | 62.23<br>2.450 | 29.97<br>1.180 | 1.250               |  |
| 20         | 48.26<br>1.900 | 1.188-18<br>UNEF | 68.58<br>2.700 | 31.24<br>1.230 | 1.375               |  |
| 22         | 50.80<br>2.000 | 1.188-18<br>UNEF | 68.58<br>2.700 | 32.18<br>1.267 | 1.500               |  |
| 24         | 57.15<br>2.250 | 1.438-18<br>UNEF | 72.90<br>2.870 | 37.72<br>1.485 | 1.750               |  |
| 28         | 63.50<br>2.500 | 1.438-18<br>UNEF | 72.90<br>2.870 | 38.10<br>1.500 | 2.000               |  |
| 32         | 68.58<br>2.700 | 1.750-18<br>UNS  | 77.22<br>3.040 | 45.97<br>1.810 | 2.250               |  |
| 36         | 74.93<br>2.950 | 2.000-18<br>UNS  | 80.52<br>3.170 | 40.89<br>1.610 | 2.500               |  |
| 40         | 82.55<br>3.250 | 2.250-16<br>UN   | 83.57<br>3.290 | 53.34<br>2.100 | 2.750               |  |

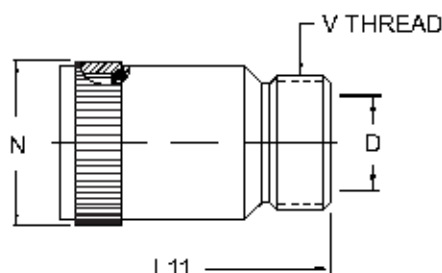
DIMENSIONS IN ITALICS ARE INCHES.



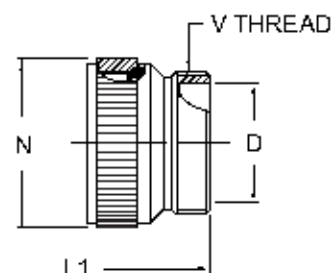
# BACKSHELLS FOR DISCREET/INDIVIDUAL WIRES



**CLASS: RV\***  
Environmental with grommet



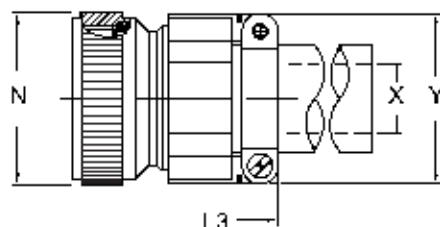
**CLASS: LR\***  
Environmental with grommet



**CLASS: R\***  
Environmental with grommet  
Class A: Non-environmental, no grommet

| SHELL SIZE | N MAX. | RV      |         |         |         |           | LR & R |                   |         |           |                |           |       |       |       |      |       |       |       |      |       |       |       |
|------------|--------|---------|---------|---------|---------|-----------|--------|-------------------|---------|-----------|----------------|-----------|-------|-------|-------|------|-------|-------|-------|------|-------|-------|-------|
|            |        | 01      |         | 03      |         | 06        | D M.N. | V THREAD CLASS 2A | 01      |           | 03             |           | 06    |       |       |      |       |       |       |      |       |       |       |
|            |        | L2 MAX. | L2 MAX. | L2 MAX. | L1 MAX. | L11 APPX. |        |                   | L1 MAX. | L11 APPX. | L1 MAX.        | L11 APPX. |       |       |       |      |       |       |       |      |       |       |       |
| 18         | 29.5   | 1.161   | 62.0    | 2.441   | 62.0    | 2.441     | 65.0   | 2.559             | 16.7    | 0.657     | 1-20 UNEF      | 64.0      | 2.520 | 93.0  | 3.661 | 64.0 | 2.520 | 93.0  | 3.661 | 67.0 | 2.638 | 96.0  | 3.780 |
| 20         | 33.0   | 1.299   | 63.0    | 2.480   | 63.0    | 2.480     | 66.0   | 2.598             | 19.8    | 0.780     | 1 3/16-18 UNEF | 64.0      | 2.520 | 93.0  | 3.661 | 64.0 | 2.520 | 93.0  | 3.661 | 67.0 | 2.638 | 96.0  | 3.780 |
| 22         | 36.0   | 1.417   | 63.0    | 2.480   | 63.0    | 2.480     | 66.0   | 2.598             | 19.8    | 0.780     | 1 3/16-18 UNEF | 65.0      | 2.559 | 93.0  | 3.661 | 65.0 | 2.559 | 93.0  | 3.661 | 68.0 | 2.677 | 96.0  | 3.780 |
| 24         | 40.0   | 1.525   | 65.0    | 2.559   | 65.0    | 2.559     | 68.0   | 2.677             | 25.4    | 1.000     | 1 7/16-18 UNEF | 67.0      | 2.638 | 93.0  | 3.661 | 67.0 | 2.638 | 93.0  | 3.661 | 70.0 | 2.756 | 96.0  | 3.780 |
| 28         | 46.0   | 1.811   | 65.0    | 2.559   | 65.0    | 2.559     | 68.0   | 2.677             | 27.0    | 1.063     | 1 7/16-18 UNEF | 73.0      | 2.874 | 100.0 | 3.937 | 73.0 | 2.874 | 100.0 | 3.937 | 76.0 | 2.992 | 103.0 | 4.055 |
| 32         | 51.5   | 2.028   | 65.0    | 2.559   | 65.0    | 2.559     | 68.0   | 2.677             | 32.5    | 1.280     | 1 3/4-18 UNS   | 77.0      | 3.031 | 100.0 | 3.937 | 77.0 | 3.031 | 100.0 | 3.937 | 80.0 | 3.150 | 103.0 | 4.055 |
| 36         | 58.0   | 2.283   | 65.0    | 2.559   | 65.0    | 2.559     | 68.0   | 2.677             | 35.7    | 1.406     | 2-18 UNS       | 78.0      | 3.071 | 100.0 | 3.937 | 78.0 | 3.071 | 100.0 | 3.937 | 81.0 | 3.189 | 103.0 | 4.055 |
| 40         | 64.5   | 2.539   | 65.0    | 2.559   | 65.0    | 2.559     | 68.0   | 2.677             | 45.0    | 1.772     | 2 1/4-16 UN    | 92.0      | 3.622 | 100.0 | 3.937 | 92.0 | 3.622 | 100.0 | 3.937 | 95.0 | 3.740 | 103.0 | 4.055 |

DIMENSIONS IN ITALICS ARE INCHES.



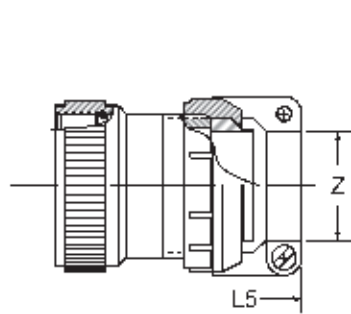
**CLASS: F\*** Environmental with grommet

| SHELL SIZE | N MAX. | X M.N. | Y MAX. | 01       | 03       | 06       |       |       |       |       |       |       |
|------------|--------|--------|--------|----------|----------|----------|-------|-------|-------|-------|-------|-------|
|            |        |        |        | L3 APPX. | L3 APPX. | L3 APPX. |       |       |       |       |       |       |
| 18         | 31.0   | 1.220  | 14.2   | 0.559    | 32.2     | 1.268    | 77.0  | 3.031 | 77.0  | 3.031 | 80.0  | 3.150 |
| 20         | 35.0   | 1.378  | 15.8   | 0.622    | 37.5     | 1.476    | 77.0  | 3.031 | 77.0  | 3.031 | 80.0  | 3.150 |
| 22         | 38.0   | 1.496  | 15.8   | 0.622    | 37.5     | 1.476    | 79.0  | 3.110 | 79.0  | 3.110 | 82.0  | 3.228 |
| 24         | 41.0   | 1.614  | 19.0   | 0.748    | 43.3     | 1.705    | 82.0  | 3.228 | 82.0  | 3.228 | 85.0  | 3.346 |
| 28         | 48.0   | 1.890  | 19.0   | 0.748    | 43.3     | 1.705    | 89.0  | 3.504 | 89.0  | 3.504 | 92.0  | 3.622 |
| 32         | 54.0   | 2.126  | 23.8   | 1.051    | 51.7     | 2.035    | 92.0  | 3.622 | 92.0  | 3.622 | 95.0  | 3.740 |
| 36         | 61.0   | 2.402  | 31.7   | 1.248    | 58.0     | 2.283    | 94.0  | 3.700 | 94.0  | 3.700 | 95.0  | 3.740 |
| 40         | 68.0   | 2.677  | 34.9   | 1.374    | 65.5     | 2.579    | 122.0 | 4.803 | 122.0 | 4.803 | 125.0 | 4.921 |

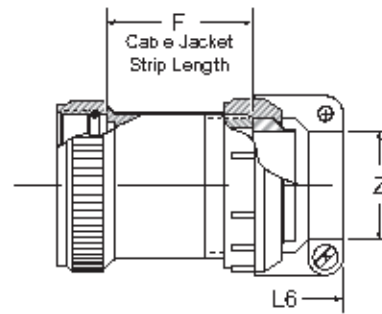
DIMENSIONS IN ITALICS ARE INCHES.



# BACKSHELLS FOR JACKETED CABLE



FOR JACKETED CABLE  
CLASS: CFZ\* Environmental with grommet



CLASS: LCFZ\* Environmental with grommet

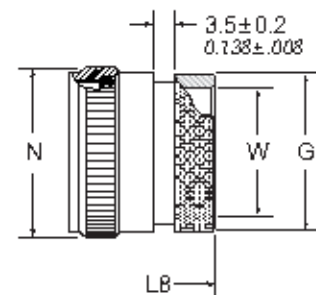
| SHELL SIZE | F REF. | Z            |              |              |             |              |              | 01           |              | 03           |              | 06           |              |              |              |              |              |              |
|------------|--------|--------------|--------------|--------------|-------------|--------------|--------------|--------------|--------------|--------------|--------------|--------------|--------------|--------------|--------------|--------------|--------------|--------------|
|            |        | OPEN         |              | CLOSED       |             |              |              | L5 APPX.     | L6 APPX.     | L5 APPX.     | L6 APPX.     | L5 APPX.     | L6 APPX.     |              |              |              |              |              |
|            |        |              |              |              |             |              |              |              |              |              |              |              |              |              |              |              |              |              |
| 18         | 45.8   | <i>1.803</i> | <i>15.87</i> | <i>0.625</i> | <i>9.6</i>  | <i>0.378</i> | <i>85.0</i>  | <i>3.346</i> | <i>115.0</i> | <i>4.528</i> | <i>85.0</i>  | <i>3.346</i> | <i>115.0</i> | <i>4.528</i> | <i>88.0</i>  | <i>3.465</i> | <i>118.0</i> | <i>4.646</i> |
| 20         | 45.9   | <i>1.807</i> | <i>19.00</i> | <i>0.748</i> | <i>11.3</i> | <i>0.445</i> | <i>85.0</i>  | <i>3.346</i> | <i>115.0</i> | <i>4.528</i> | <i>85.0</i>  | <i>3.346</i> | <i>115.0</i> | <i>4.528</i> | <i>88.0</i>  | <i>3.465</i> | <i>118.0</i> | <i>4.646</i> |
| 22         | 45.9   | <i>1.807</i> | <i>19.00</i> | <i>0.748</i> | <i>11.3</i> | <i>0.445</i> | <i>88.0</i>  | <i>3.464</i> | <i>115.0</i> | <i>4.528</i> | <i>88.0</i>  | <i>3.464</i> | <i>115.0</i> | <i>4.528</i> | <i>91.0</i>  | <i>3.583</i> | <i>118.0</i> | <i>4.646</i> |
| 24         | 44.5   | <i>1.752</i> | <i>23.80</i> | <i>0.937</i> | <i>15.5</i> | <i>0.670</i> | <i>92.0</i>  | <i>3.622</i> | <i>119.0</i> | <i>4.685</i> | <i>92.0</i>  | <i>3.622</i> | <i>119.0</i> | <i>4.685</i> | <i>95.0</i>  | <i>3.740</i> | <i>122.0</i> | <i>4.803</i> |
| 28         | 49.5   | <i>1.949</i> | <i>23.80</i> | <i>0.937</i> | <i>15.5</i> | <i>0.670</i> | <i>98.0</i>  | <i>3.858</i> | <i>124.0</i> | <i>4.882</i> | <i>98.0</i>  | <i>3.858</i> | <i>124.0</i> | <i>4.882</i> | <i>101.0</i> | <i>3.976</i> | <i>127.0</i> | <i>5.000</i> |
| 32         | 49.6   | <i>1.953</i> | <i>31.75</i> | <i>1.250</i> | <i>23.4</i> | <i>0.927</i> | <i>107.0</i> | <i>4.273</i> | <i>131.0</i> | <i>5.157</i> | <i>107.0</i> | <i>4.273</i> | <i>131.0</i> | <i>5.157</i> | <i>110.0</i> | <i>4.337</i> | <i>134.0</i> | <i>5.276</i> |
| 36         | 50.0   | <i>1.969</i> | <i>35.00</i> | <i>1.378</i> | <i>23.4</i> | <i>0.927</i> | <i>112.0</i> | <i>4.409</i> | <i>135.0</i> | <i>5.375</i> | <i>112.0</i> | <i>4.409</i> | <i>135.0</i> | <i>5.375</i> | <i>115.0</i> | <i>4.528</i> | <i>138.0</i> | <i>5.433</i> |
| 40         | 50.0   | <i>1.969</i> | <i>41.25</i> | <i>1.624</i> | <i>29.9</i> | <i>1.177</i> | <i>126.0</i> | <i>4.967</i> | <i>135.0</i> | <i>5.375</i> | <i>126.0</i> | <i>4.967</i> | <i>135.0</i> | <i>5.375</i> | <i>129.0</i> | <i>5.079</i> | <i>138.0</i> | <i>5.433</i> |

DIMENSIONS IN ITALICS ARE INCHES.

# BACKSHELLS FOR SHRINK BOOTS

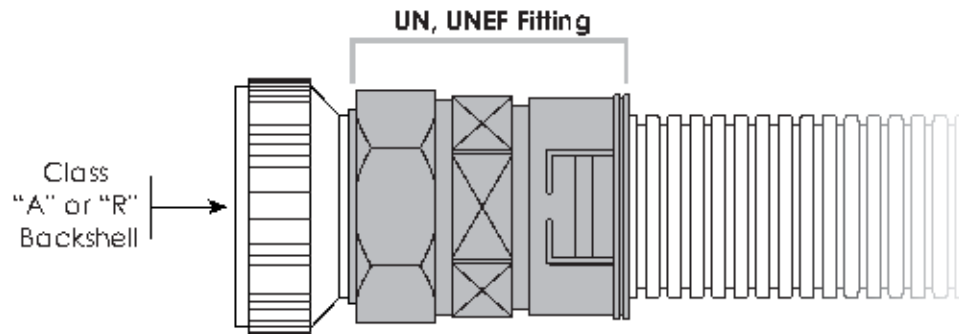
| SHELL SIZE | G $\pm 0.2$<br><i>± 0.008</i> | N MAX.       |             | W MIN.       |             | 01           |             | 03           |             | 06           |             |              |
|------------|-------------------------------|--------------|-------------|--------------|-------------|--------------|-------------|--------------|-------------|--------------|-------------|--------------|
|            |                               |              |             |              |             | L8 MAX.      | L8 MAX.     | L8 MAX.      | L8 MAX.     | L8 MAX.      |             |              |
| 18         | <i>23.9</i>                   | <i>0.947</i> | <i>31.0</i> | <i>1.220</i> | <i>17.5</i> | <i>0.689</i> | <i>66.0</i> | <i>2.598</i> | <i>66.0</i> | <i>2.598</i> | <i>69.0</i> | <i>2.777</i> |
| 20         | <i>29.6</i>                   | <i>1.165</i> | <i>35.0</i> | <i>1.378</i> | <i>19.5</i> | <i>0.768</i> | <i>71.0</i> | <i>2.795</i> | <i>71.0</i> | <i>2.795</i> | <i>74.0</i> | <i>2.973</i> |
| 22         | <i>29.6</i>                   | <i>1.165</i> | <i>38.0</i> | <i>1.496</i> | <i>22.0</i> | <i>0.866</i> | <i>71.0</i> | <i>2.795</i> | <i>71.0</i> | <i>2.795</i> | <i>74.0</i> | <i>2.973</i> |
| 24         | <i>37.8</i>                   | <i>1.488</i> | <i>41.0</i> | <i>1.674</i> | <i>25.0</i> | <i>0.984</i> | <i>71.0</i> | <i>2.795</i> | <i>71.0</i> | <i>2.795</i> | <i>74.0</i> | <i>2.973</i> |
| 28         | <i>37.8</i>                   | <i>1.488</i> | <i>48.0</i> | <i>1.890</i> | <i>29.0</i> | <i>1.142</i> | <i>71.0</i> | <i>2.795</i> | <i>71.0</i> | <i>2.795</i> | <i>74.0</i> | <i>2.973</i> |
| 32         | <i>47.8</i>                   | <i>1.882</i> | <i>54.0</i> | <i>2.126</i> | <i>34.0</i> | <i>1.339</i> | <i>75.0</i> | <i>2.953</i> | <i>75.0</i> | <i>2.953</i> | <i>78.0</i> | <i>2.874</i> |
| 36         | <i>47.8</i>                   | <i>1.882</i> | <i>61.0</i> | <i>2.402</i> | <i>38.5</i> | <i>1.576</i> | <i>80.0</i> | <i>3.150</i> | <i>80.0</i> | <i>3.150</i> | <i>83.0</i> | <i>3.267</i> |
| 40         | <i>52.4</i>                   | <i>2.063</i> | <i>68.0</i> | <i>2.677</i> | <i>48.0</i> | <i>1.890</i> | <i>82.0</i> | <i>3.228</i> | <i>82.0</i> | <i>3.228</i> | <i>85.0</i> | <i>3.346</i> |

DIMENSIONS IN ITALICS ARE INCHES.



CLASS: G\* Environmental with grommet

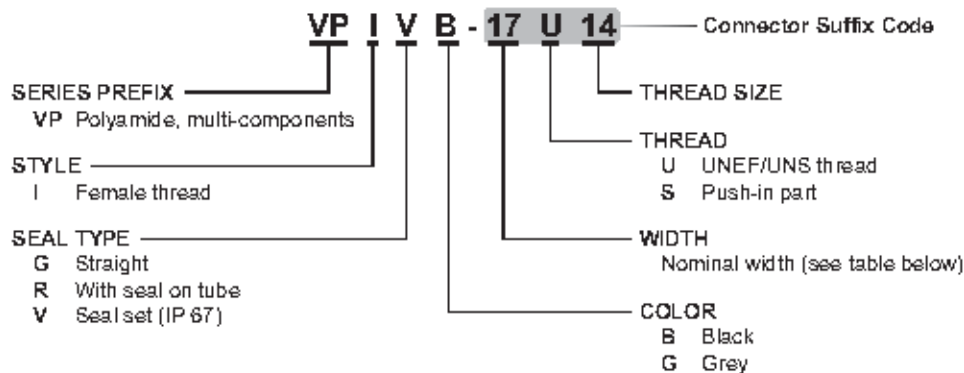
# BACKSHELLS FOR PLASTIC FLEXIBLE CONDUIT



Class: TRAC connectors are supplied with a one piece (no "U" clip) fitting.  
 Example: Connector with UNEF threads: SCPB06TRAC28-12S(17U14).

- ▶ Standard connector, fittings and conduit are black. Internal wire sealing grommet is included. Other options available, consult factory.
- ▶ Fittings may be purchased individually by using the part numbers listed (see table below).
- ▶ Conduit may be purchased separately.
- ▶ Meets IP67 standards.
- ▶ Halogen-free, self-extinguishing, non-flame spreading.

## ORDERING INFORMATION FOR UN, UNEF FITTINGS ONLY



| She Size | Backshe Thread | TRAC fitting P/N lo- UNEF Threads ( P67) | Nomina Width | Metric |
|----------|----------------|--|--------------|--------|
| 18       | 1-20UNEF       | VP RB-12U11"                             | 12           | 16     |
|          |                | VP RB-17U11                              | 17           | 20     |
|          |                | VP RB-23U11"                             | 23           | 25     |
| 20       | 1 3/16-18UNEF  | VP RB-12U14"                             | 12           | 16     |
|          |                | VP RB-17U14                              | 17           | 20     |
|          |                | VP RB-23U14"                             | 23           | 25     |
|          |                | VP RB-29U14"                             | 29           | 29     |
|          |                | VP RB-36U14"                             | 36           | 40     |
|          |                | VP RB-48U14"                             | 48           | 50     |
| 22       | 1 3/16-18UNEF  | VP RB-12U14"                             | 12           | 16     |
|          |                | VP RB-17U14                              | 17           | 20     |
|          |                | VP RB-23U14                              | 23           | 25     |
|          |                | VP RB-29U14"                             | 29           | 29     |
| 24       | 1 7/16-18UNEF  | VP RB-12U18"                             | 12           | 16     |
|          |                | VP RB-17U18"                             | 17           | 20     |
|          |                | VP RB-23U18                              | 23           | 25     |
|          |                | VP RB-29U18"                             | 29           | 29     |
|          |                | VP RB-36U18"                             | 36           | 40     |

| She Size | Backshe Thread | TRAC fitting P/N lo- UNEF Threads ( P67) | Nomina Width | Metric |
|----------|----------------|--|--------------|--------|
| 28       | 1 7/16-18UNEF  | VP RB-12U18"                             | 12           | 16     |
|          |                | VP RB-17U18"                             | 17           | 20     |
|          |                | VP RB-23U18                              | 23           | 25     |
|          |                | VP RB-29U18"                             | 29           | 29     |
|          |                | VP RB-36U18"                             | 36           | 40     |
| 32       | 1 3/4-18UNS    | VP RB-17U20"                             | 17           | 20     |
|          |                | VP RB-23U20"                             | 23           | 25     |
|          |                | VP RB-29U20"                             | 29           | 32     |
|          |                | VP RB-36U20"                             | 36           | 40     |
| 36       | 2-18UNS        | VP RB-23U24"                             | 23           | 25     |
|          |                | VP RB-29U24                              | 29           | 32     |
|          |                | VP RB-36U24"                             | 36           | 40     |
|          |                | VP RB-48U24"                             | 48           | 50     |
| 40       | 2 1/4-16UN     | VP RB-23U25"                             | 23           | 25     |
|          |                | VP RB-29U25"                             | 29           | 32     |
|          |                | VP RB-36U25"                             | 36           | 40     |
|          |                | VP RB-48U25"                             | 48           | 50     |

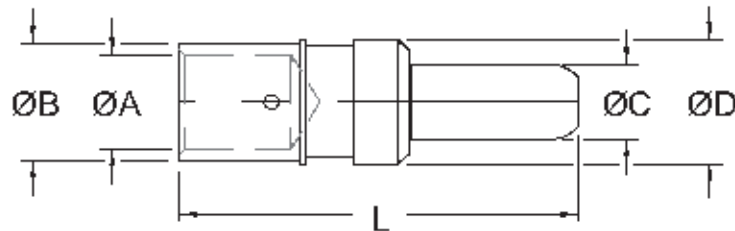
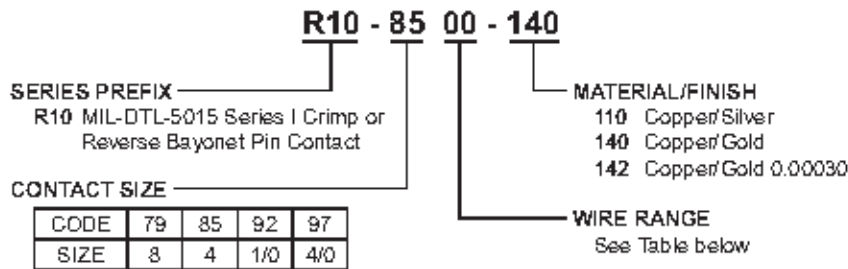
\* Consult sales for availability.







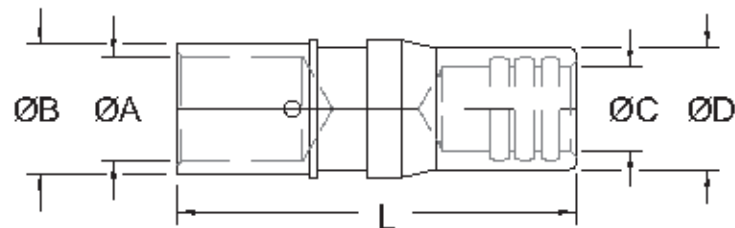
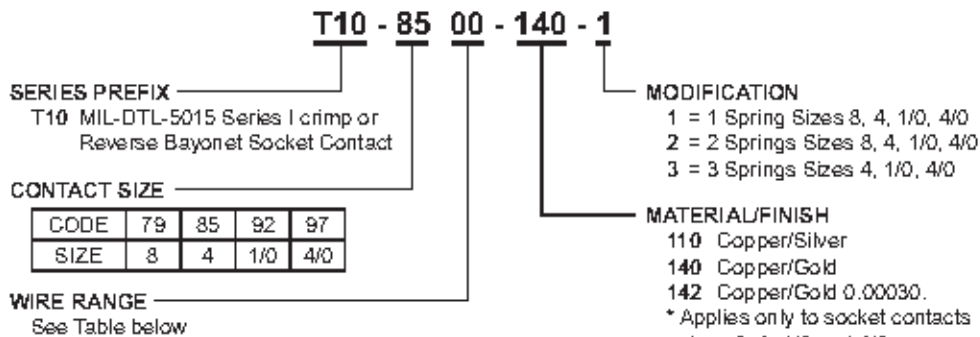
# LOW INSERTION FORCE & HIGH AMPERAGE CONTACTS



MATERIAL: Copper  
FINISH: Silver

| CONNECTOR ORDER NG CODE | PN PART NUMBER | SIZE | FOR WIRE SIZE |                 | RATING   | ØA   |       | ØB   |       | ØC   |       | ØD   |       | L     |       |
|-------------------------|----------------|------|---------------|-----------------|----------|------|-------|------|-------|------|-------|------|-------|-------|-------|
|                         |                |      | AWG           | MM <sup>2</sup> |          |      |       |      |       |      |       |      |       |       |       |
| 1                       | R12-7900-110   | 8    | 8             | 9.0             | 100 Amps | .177 | 4.50  | .272 | 6.90  | .127 | 3.23  | .307 | 7.80  | 1.603 | 40.70 |
| 1                       | R12-8500-110   | 4    | 4             | 22.0            | 168 Amps | .281 | 7.15  | .375 | 9.50  | .225 | 5.70  | .433 | 11.00 | 1.625 | 41.25 |
| 1                       | R10-9200-110   | 1/0  | 1/0           | 53.0            | 304 Amps | .453 | 11.50 | .565 | 14.35 | .357 | 9.07  | .595 | 15.11 | 1.926 | 46.50 |
| 1                       | R10-9798-110   | 4/0  | 4/0           | 107.0           | 500 Amps | .650 | 16.50 | .787 | 20.00 | .550 | 13.97 | .787 | 20.00 | 2.456 | 62.38 |

DIMENSIONS IN ITALICS ARE INCHES.



MATERIAL: Copper  
FINISH: Silver

| CONNECTOR ORDER NG CODE | SOCKET PART NUMBER | SIZE | FOR WIRE SIZE |                 | SPRNGS | RATING   | ØA    |      | ØB    |       | ØC    |       | ØD    |       | L     |       |
|-------------------------|--------------------|------|---------------|-----------------|--------|----------|-------|------|-------|-------|-------|-------|-------|-------|-------|-------|
|                         |                    |      | AWG           | MM <sup>2</sup> |        |          |       |      |       |       |       |       |       |       |       |       |
| R1                      | T10-7900-110-1     | 8    | 8             | 9               | 1      | 46 Amps  | 0.177 | 4.50 | 0.272 | 6.90  | 0.130 | 3.3   | 0.265 | 6.73  | 1.590 | 40.39 |
| R2                      | T10-7900-110-2     |      |               |                 | 2      | 73 Amps  |       |      |       |       |       |       |       |       |       |       |
| R3                      | T10-7900-110-3     |      |               |                 | 3      | 85 Amps  |       |      |       |       |       |       |       |       |       |       |
| R1                      | T10-8500-110-1     | 4    | 4             | 22              | 1      | 80 Amps  | 0.281 | 7.15 | 0.375 | 9.50  | 0.235 | 5.97  | 0.335 | 8.57  | 1.575 | 40.00 |
| R2                      | T10-8500-110-2     |      |               |                 | 2      | 135 Amps |       |      |       |       |       |       |       |       |       |       |
| R3                      | T10-8500-110-3     |      |               |                 | 3      | 168 Amps |       |      |       |       |       |       |       |       |       |       |
| R1                      | T10-9200-110-1     | 1/0  | 1/0           | 53              | 1      | 150 Amps | 0.453 | 11.5 | 0.565 | 14.35 | 0.368 | 9.35  | 0.532 | 13.57 | 1.730 | 43.94 |
| R2                      | T10-9200-110-2     |      |               |                 | 2      | 245 Amps |       |      |       |       |       |       |       |       |       |       |
| R3                      | T10-9200-110-3     |      |               |                 | 3      | 304 Amps |       |      |       |       |       |       |       |       |       |       |
| R1                      | T10-9795-110-1     | 4/0  | 4/0           | 107             | 1      | 225 Amps | 0.650 | 16.5 | 0.787 | 20.00 | 0.560 | 14.22 | 0.750 | 19.05 | 2.350 | 59.69 |
| R2                      | T10-9795-110-2     |      |               |                 | 2      | 350 Amps |       |      |       |       |       |       |       |       |       |       |
| R3                      | T10-9795-110-3     |      |               |                 | 3      | 500 Amps |       |      |       |       |       |       |       |       |       |       |

DIMENSIONS IN ITALICS ARE INCHES.